

# Dell™ Rack Installation Guide

Guide d'installation du rack Dell™

Dell™ Rack-Installationshandbuch

Dell™ ラック取り付けガイド

Guía de instalación del rack Dell™





# Dell™ Rack Installation Guide



# Notes, Notices, and Cautions



**NOTE:** A NOTE indicates important information that helps you make better use of your computer.



**NOTICE:** A NOTICE indicates either potential damage to hardware or loss of data and tells you how to avoid the problem.



**CAUTION:** A CAUTION indicates a potential for property damage, personal injury, or death.

---

**Information in this document is subject to change without notice.**

**© 2007 Dell Inc. All rights reserved.**

Reproduction in any manner whatsoever without the written permission of Dell Inc. is strictly forbidden.

Trademarks used in this text: *Dell*, the *DELL* logo, *RapidRails* and *VersaRails* are trademarks of Dell Inc.; *Intel*, *Pentium* and *Celeron* are registered trademarks of Intel Corporation; *Microsoft* and *Windows* are either registered trademarks or trademarks of Microsoft Corporation in the United States and/or other countries.

Other trademarks and trade names may be used in this document to refer to either the entities claiming the marks and names or their products. Dell Inc. disclaims any proprietary interest in trademarks and trade names other than its own.

# Contents

<b>Safety Instructions</b> . . . . .	<b>5</b>
SAFETY: Rack Mounting of Systems . . . . .	5
<b>Installation Instructions</b> . . . . .	<b>6</b>
Before You Begin . . . . .	7
Installation Tasks . . . . .	8
Recommended Tools and Supplies . . . . .	8
RapidRails Rack Kit Contents . . . . .	8
VersaRails Rack Kit Contents . . . . .	9
<b>Marking the Rack</b> . . . . .	<b>11</b>
<b>Installing the RapidRails Slide Assemblies</b> . . . . .	<b>13</b>
<b>Installing the VersaRails Slide Assemblies</b> . . . . .	<b>15</b>
<b>Installing the System in the Rack</b> . . . . .	<b>17</b>
<b>Installing the Cable Tray and Cable-Management Arm</b> . . . . .	<b>19</b>
Attaching the Cable Tray to the System . . . . .	19
Securing the Cable-Management Arm . . . . .	19
<b>Routing Cables</b> . . . . .	<b>21</b>




# Safety Instructions


Use the following safety guidelines to ensure your own personal safety and to help protect your system and working environment from potential damage. For complete safety information, see the *Product Information Guide*.


## SAFETY: Rack Mounting of Systems

Observe the following precautions for rack stability and safety.

Systems are considered to be components in a rack. Thus, “component” refers to any system as well as to various peripherals or supporting hardware.

 **CAUTION:** Before installing systems in a rack, install the front and side stabilizers on stand-alone (single) racks or the front stabilizer on racks joined to other racks. Failure to install stabilizers accordingly before installing systems in a rack could cause the rack to tip over, potentially resulting in bodily injury under certain circumstances. Therefore, always install the stabilizer(s) before installing components in the rack.

 **CAUTION:** After installing system/components in a rack, never pull more than one component out of the rack on its slide assemblies at one time. The weight of more than one extended component could cause the rack to tip over and cause injury.

 **NOTE:** Your system is safety-certified as a free-standing unit and as a component for use in a rack cabinet using the customer rack kit when both the rack cabinet and rack kit were designed for your system. The installation of your system and rack kit in any other rack cabinet has not been approved by any safety agencies. It is your responsibility to have the final combination of system and rack kit in a cabinet evaluated for suitability by a certified safety agency. The manufacturer disclaims all warranties and liability in connection with such combinations.

- System rack kits are intended to be installed in an approved rack by trained service technicians. If you install the kit in any other rack, be sure that the rack meets the specifications.
- Before working on the rack, make sure that the stabilizers are secured to the rack, extended to the floor, and that the full weight of the rack rests on the floor. Install front and side stabilizers on a single rack or front stabilizers for joined multiple racks before working on the rack.
- Always load the rack from the bottom up, and load the heaviest item in the rack first.

- Make sure that the rack is level and stable before extending a component from the rack.
- Use caution when pressing the component rail release latches and sliding a component into or out of a rack; the slide rails can pinch your fingers.
- After a component is inserted into the rack, carefully extend the rail into a locking position, and then slide the component into the rack.
- Do not overload the AC power supply branch circuit that provides power to the rack. The total rack load should not exceed 80 percent of the branch circuit rating.
- Ensure that proper airflow is provided to components in the rack.
- Do not step on or stand on any system/component when servicing other systems/components in a rack.

## Installation Instructions

This installation guide provides instructions for trained service technicians installing one or more systems in an open-frame relay rack or in a rack cabinet. The RapidRails™ rack kit can be installed without tools in manufacturer's rack cabinets that have square holes; the VersaRails™ rack kit can be installed in most industry-standard rack cabinets that have square or round holes. The procedures for installing both RapidRails and VersaRails rack kits are similar. One rack kit is required for each system installed in the rack.



**CAUTION: Do not install rack kit components designed for another system. Use only the rack kit for your system. Using the rack kit for another system may result in damage to the system and personal injury.**

The RapidRails rack kit can be installed in most industry-standard rack cabinets.




**NOTICE:** The RapidRails rack kit is intended to be installed by trained service technicians in a rack that meets the specifications of American National Standards Institute (ANSI)/Electronic Industries Association (EIA) standard ANSI/EIA-310-D-92, International Electrotechnical Commission (IEC) 297, and Deutsche Industrie Norm (DIN) 41494. One rack kit is required for each system that is installed in a rack.



## Before You Begin


Before you begin installing your system in the rack, carefully read “Safety Instructions”, found earlier in this guide, as well as the safety instructions found in your *Product Information Guide* for additional information.

 **CAUTION: When installing multiple systems in a rack, complete all of the procedures for the current system before attempting to install the next system.**


 **CAUTION: Rack cabinets can be extremely heavy and move easily on the casters. Use extreme caution while moving the rack cabinet. Retract the leveling feet when relocating the rack cabinet. Avoid long or steep inclines or ramps where loss of cabinet control may occur. Extend the leveling feet for support and to prevent the cabinet from rolling.**


## Important Safety Information

Observe the safety precautions in the following subsections when installing your system in the rack.

 **CAUTION: You must strictly follow the procedures in this document to protect yourself as well as others who may be involved. Your system may be very large and heavy, and proper preparation and planning are important to prevent injury to yourself and to others. This becomes increasingly important when systems are installed high up in the rack.**

## Rack Stabilizer Feet

 **CAUTION: Before installing systems in a rack, install the front and side stabilizers on stand-alone (single) racks or the front stabilizer on racks joined to other racks. Failure to install stabilizers accordingly before installing systems in a rack could cause the rack to tip over, potentially resulting in bodily injury under certain circumstances. Therefore, always install the stabilizer(s) before installing components in the rack.**

 **CAUTION: After installing systems in a rack, never pull more than one system out of the rack on its slide assemblies at one time. The weight of more than one extended system could cause the rack to tip over and cause injury.**

The stabilizer feet help prevent the rack from tipping over when a system or other component is pulled out of the rack with the slide assemblies fully extended. See the documentation provided with the rack cabinet for instructions on installing and anchoring the stabilizer feet.

## Installation Tasks

Installing a rack kit involves performing the following tasks in their numbered order:

- 1 Marking the rack (if necessary)
- 2 Installing the rail assemblies in the rack:
  - RapidRails installation
  - VersaRails installation
- 3 Installing the system in the rack
- 4 Installing the cable tray and cable-management arm
- 5 Routing cables

## Recommended Tools and Supplies

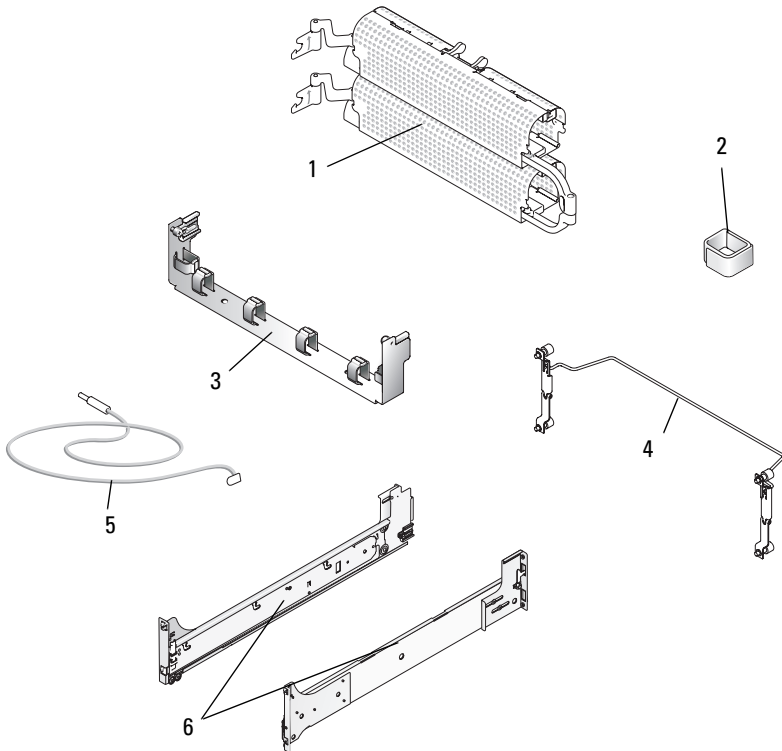
- A #2 Phillips screwdriver
- Masking tape or a felt-tip pen, for use in marking the rack mounting holes to be used
- A measuring ruler or tape measure

## RapidRails Rack Kit Contents

The RapidRails rack kit includes the following items (see Figure 1-1):

- One pair of RapidRails slide assemblies
- One cable-management arm
- One cable-management arm retainer
- One cable tray
- One status indicator cable (if applicable)
- One Velcro cable strap

**Figure 1-1. RapidRails Rack Kit Contents**



- |   |  |   |                               |
|---|--|---|-------------------------------|
| 1 | cable-management arm                   | 2 | Velcro strap                  |
| 3 | cable tray                             | 4 | cable management arm retainer |
| 5 | status indicator cable (if applicable) | 6 | VersaRails slide assemblies   |

### **VersaRails Rack Kit Contents**

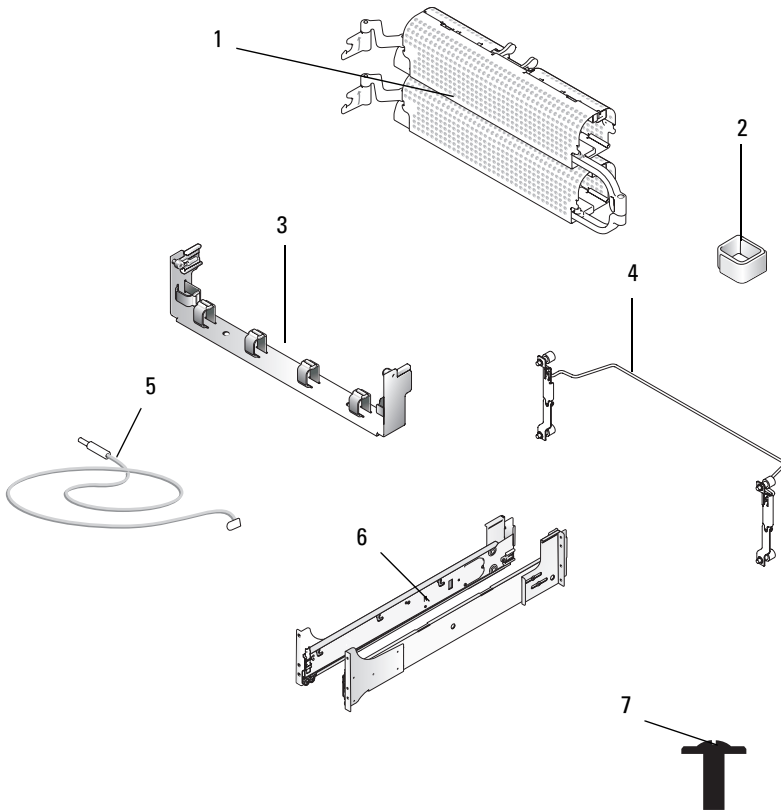
The VersaRails rack kit includes the following items (see Figure 1-2):

- One pair of VersaRails slide assemblies
- One cable-management arm
- One cable-management arm retainer
- One cable tray
- One status indicator cable (if applicable)

- Eight 10-32 x 0.5-inch flange-head Phillips screws
- One Velcro cable strap

**NOTE:** The nonmetric screws described in illustrations and in procedural steps are identified by size and number of threads per inch. For example, a #10 Phillips-head screw with 32 threads per inch is identified as a 10-32 screw.


**Figure 1-2. VersaRails Rack Kit Contents**



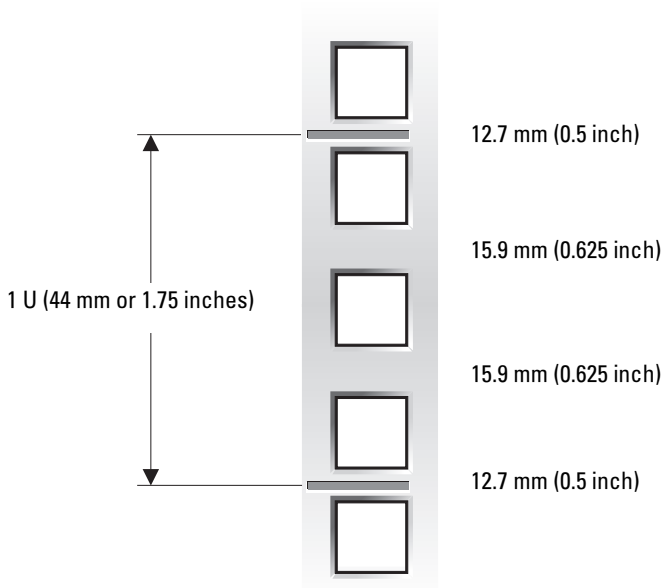
- |   |  |   |                               |
|---|--|---|-------------------------------|
| 1 | cable-management arm                     | 2 | Velcro strap                  |
| 3 | cable tray                               | 4 | cable management arm retainer |
| 5 | status indicator cable (if applicable)   | 6 | VersaRails slide assemblies   |
| 7 | Ten 32 x 0.5 flange-head Phillips screws |   |                               |


# Marking the Rack

You must allow 4 U (7 inches) of vertical space for each system you install in the rack (see Figure 1-3).

 **NOTE:** Your rack may already be marked and not require this procedure.

**Figure 1-3. One Rack Unit**



 **CAUTION:** If you are installing more than one system, install the slide assemblies so that the first system is installed in the lowest available position in the rack.

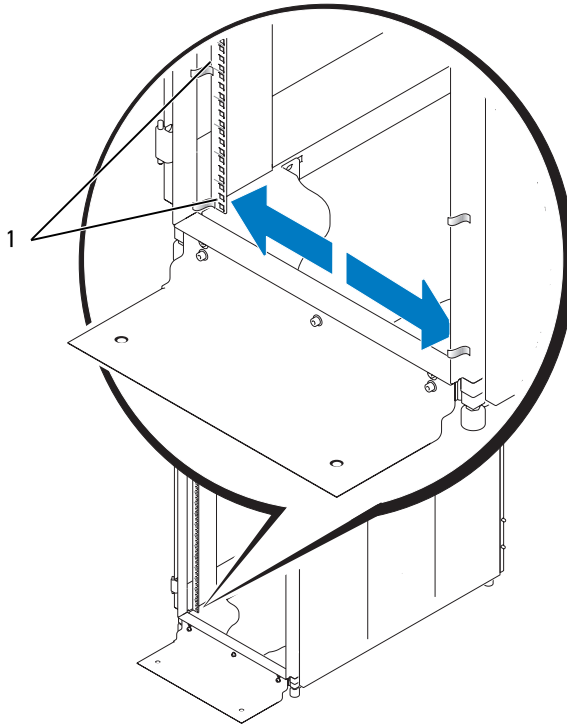
To mark the rack, perform the following steps:

- 1 Place a mark on the rack's front vertical rails where you want to locate the bottom of the system you are installing in the rack cabinet.

The bottom of each 1-U space is at the middle of the narrowest metal area between holes (marked with a horizontal line on some rack cabinets—see Figure 1-4).

- 2 Place a mark approximately 7 inches above the original mark you made (or count up 12 holes in a rack that meets EIA-310 standards) and mark the rack's front vertical rails with a felt-tipped pen or masking tape (if you counted holes, place a mark just above the top hole). This mark or piece of tape indicates where the system's upper edge will be located on the vertical rails (see Figure 1-4).

**Figure 1-4. Marking the Vertical Rails**



- 1 tape on vertical rail

## Installing the RapidRails Slide Assemblies

- 1 At the front of the rack cabinet, position one of the RapidRails slide assemblies so that its mounting-bracket flange fits in the appropriate location on the rack (see Figure 1-5).

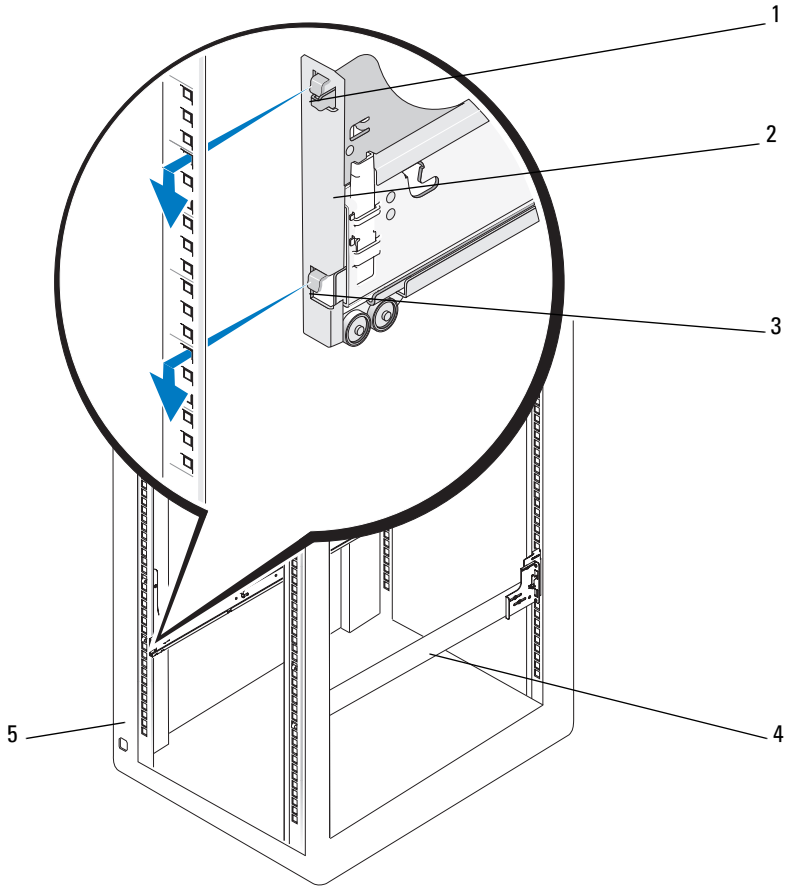
The top mounting hook on the rail assembly's front-mounting bracket flange should enter the top hole between the marks on the vertical rails.

- 2 Push the slide assembly forward until the top mounting hook enters the square hole just below the upper marks or tape you placed on the vertical rail. Next, push down on the mounting-bracket flange until the mounting hooks seat in the square holes and the push button pops out and clicks (see Figure 1-5).
- 3 At the back of the cabinet, pull back on the mounting-bracket flange until the mounting hooks are in the appropriate holes, and then push down on the flange until the mounting hooks seat in the square holes and the push button pops out and clicks.
- 4 Repeat steps 1 through 3 for the slide assembly on the other side of the rack.



**NOTE:** Ensure that the rails are mounted at the same vertical position on both sides of the rack.

**Figure 1-5. Installing the RapidRails Slide Assemblies**



- |   |                    |   |  |
|---|--------------------|---|--|
| 1 | push button        | 2 | slide-assembly mounting-bracket flange |
| 3 | mounting hooks (2) | 4 | slide assemblies (2)                   |
| 5 | front of rack      |   |  |



## Installing the VersaRails Slide Assemblies

- 1 At the front of the rack cabinet, place a VersaRails slide assembly so that its mounting-bracket flange fits between the marks or tape (or numbered location) on the rack (see Figure 1-6).

The holes on the front of the mounting bracket should align with the holes between the marks on the front vertical rail.

- 2 Install a 10-32 x 0.5-inch flange-head Phillips screws in the mounting flange's top hole and the bottom hole (see Figure 1-6).
- 3 At the back of the cabinet, pull back on the mounting-bracket flange until the mounting holes align with their respective holes on the back vertical rail.
- 4 Install 10-32 x 0.5-inch flange-head Phillips screws in the second and third holes (middle holes) of the back mounting flange to secure the slide assembly to the back vertical rail.



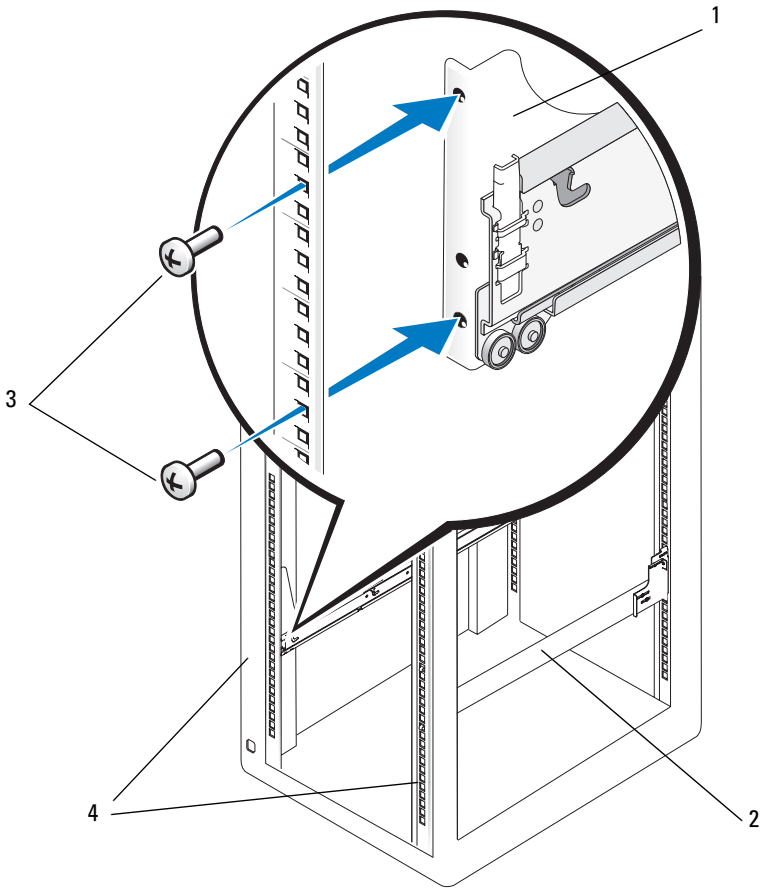
**NOTE:** The top and bottom flange holes will be used later for installing the cable-management arm retainer.

- 5 Repeat steps 1 through 4 for the slide assembly on the other side of the rack.




**NOTE:** Ensure that the rails are mounted at the same vertical position on both sides of the rack.

**Figure 1-6. Installing the VersaRails Rail Assemblies**




- |   |  |   |                      |
|---|--|---|----------------------|
| 1 | slide-assembly mounting-bracket flange | 2 | slide assemblies (2) |
| 3 | flange-head Phillips screws (2)        | 4 | front of rack        |

# Installing the System in the Rack

 **CAUTION:** If you are installing more than one system, install the first system in the lowest available position in the rack.

 **CAUTION:** Never pull more than one component out of the rack at a time.

- 1 Pull the two interior slide assemblies out of the rack until they lock in the fully extended position.

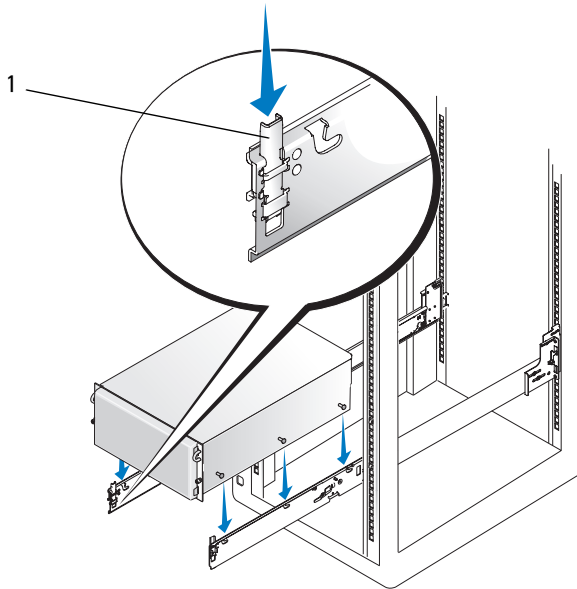
 **CAUTION:** Because of the size and weight of the system, never attempt to install the system in the slide assemblies by yourself.

- 2 Lift the system into position.

Using a minimum of two persons, each person should place one hand on the front-bottom of the system and the other hand on the back-bottom of the system.

- 3 Tilt the front of the system upward while aligning the back shoulder screws on the sides of the system with the back slots on the slide assemblies (see Figure 1-7).

**Figure 1-7. Installing the System in the Rack**



- 1 system locking mechanism
- 4 Engage the back shoulder screws in the slot just behind the slide-release latch, followed by the middle and front shoulder screws.
- 5 Push the system inward on the slide assemblies until the system-locking mechanism clicks into place, locking the slide to the system (see Figure 1-7).
- 6 Pull up on the slide-release latches and push the system into the rack.
- 7 Tighten the thumbscrews on the rack front panel.

# Installing the Cable Tray and Cable-Management Arm

This procedure is performed in two phases. First, install the cable tray to the back of the system chassis. Next, install the cable-management arm on the cable tray.

## Attaching the Cable Tray to the System



**NOTE:** Depending on the cable tray that ships with your rail kit, you will need to follow the procedure for mounting the tray on the back of the system chassis. Both cable trays are illustrated in Figure 1-8.

### Mounting Type I

- 1 Align the formed metal tabs along the bottom of the cable tray with the mating slots at the back of the system chassis.
- 2 Insert the tabs into the slots and rotate the tray downward to the secure position (see Figure 1-8).
- 3 Secure the tray to the system with the two captive thumbscrews.

### Mounting Type II

- 1 Align the formed metal tabs along the sides of the cable tray with the bent metal notches on the inner walls at the back of the system chassis.
- 2 Slide the tabs over the metal notches and press the tray downward to the secure position (see Figure 1-8).
- 3 Secure the tray to the system with the two captive thumbscrews.



**CAUTION:** The cable tray cannot support the weight of the system. Do not grasp the cable tray when lifting the system. Lift the system only by the chassis edges.

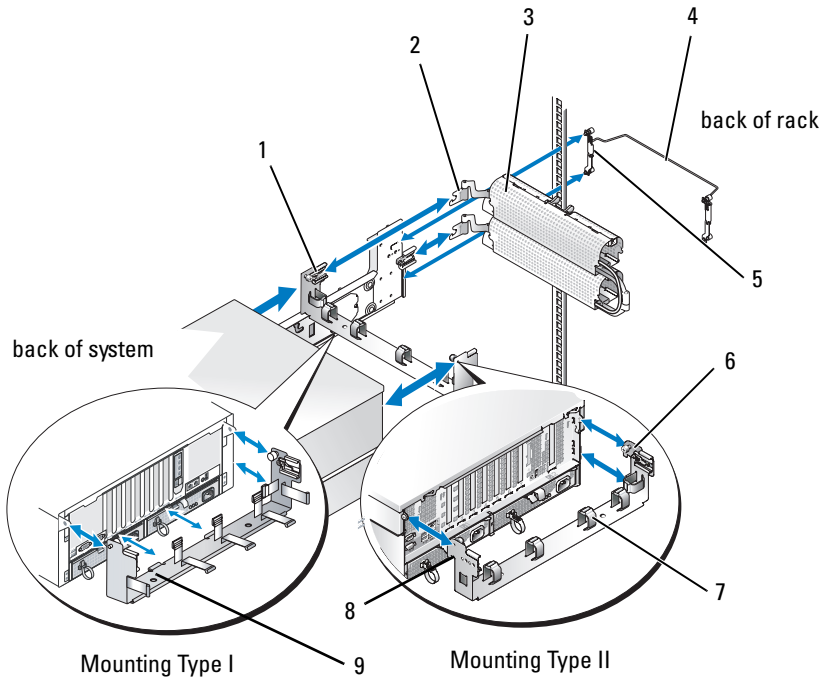
## Securing the Cable-Management Arm



**NOTE:** The cable-management arm can be installed on either side of the cable tray.

- 1 Facing the back of the rack cabinet, push the tab on the front end of the cable-management arm into the latch on the cable tray until the latch clicks (see Figure 1-8).
- 2 Push the tab on the unattached end of the cable-management arm into the latch on the end of the slide assembly until the latch clicks.

**Figure 1-8. Installing the Cable-Management Arm**



- |   |                         |   |                           |
|---|-------------------------|---|---------------------------|
| 1 | latch on cable tray     | 2 | tabs                      |
| 3 | cable-management arm    | 4 | cable-management retainer |
| 5 | captive thumbscrews (4) | 6 | captive thumbscrews (2)   |
| 7 | Velcro strap            | 8 | formed metal tabs         |
| 9 | mounting tabs (2)       |   |                           |

**NOTE:** Figure 1-8 illustrates both rack rail types that demonstrate how to connect the rack to your system.

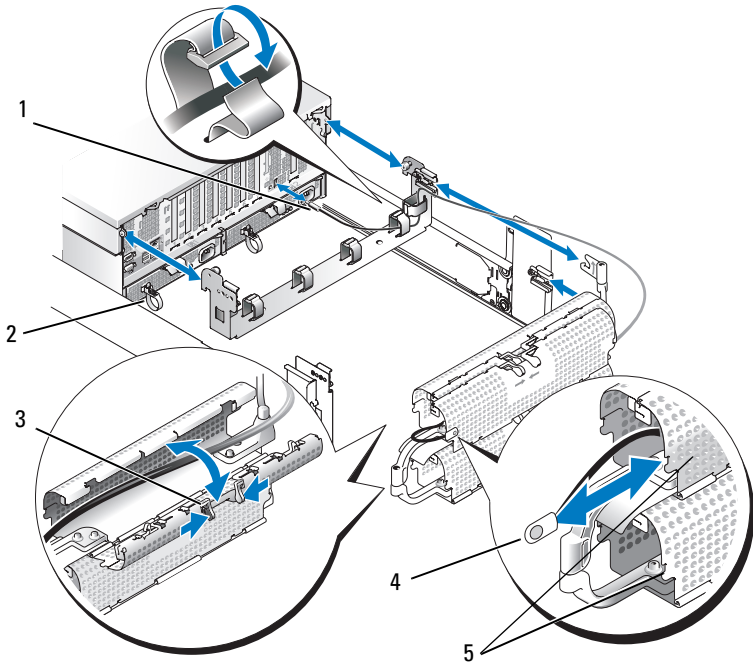
## Routing Cables

- 1** If applicable, install the system status-indicator cable plug into its connector on the system back panel (see Figure 1-9).
- 2** Open both cable baskets on the cable-management arm by squeezing the release latches on top of each basket.

The cable baskets swing open to enable cables to be routed within the arms.

- 3** Route the system status-indicator cable along the cable-management arm through the upper basket, and then, if desired, through the lower basket. Insert the LED end into one of the indicator slots on the cable-management arm (see Figure 1-9).

**Figure 1-9. Installing the System Status Indicator Cable**



- |   |                                    |   |   |
|---|------------------------------------|---|---|
| 1 | system status indicator cable plug | 2 | strain-relief loops<br>(1 per power supply, if available) |
| 3 | release latch                      | 4 | system status indicator                                   |
| 5 | system status indicator slot       |   |   |

**4** Attach the I/O cable connectors and power cable connectors to their respective connectors on the system back panel.

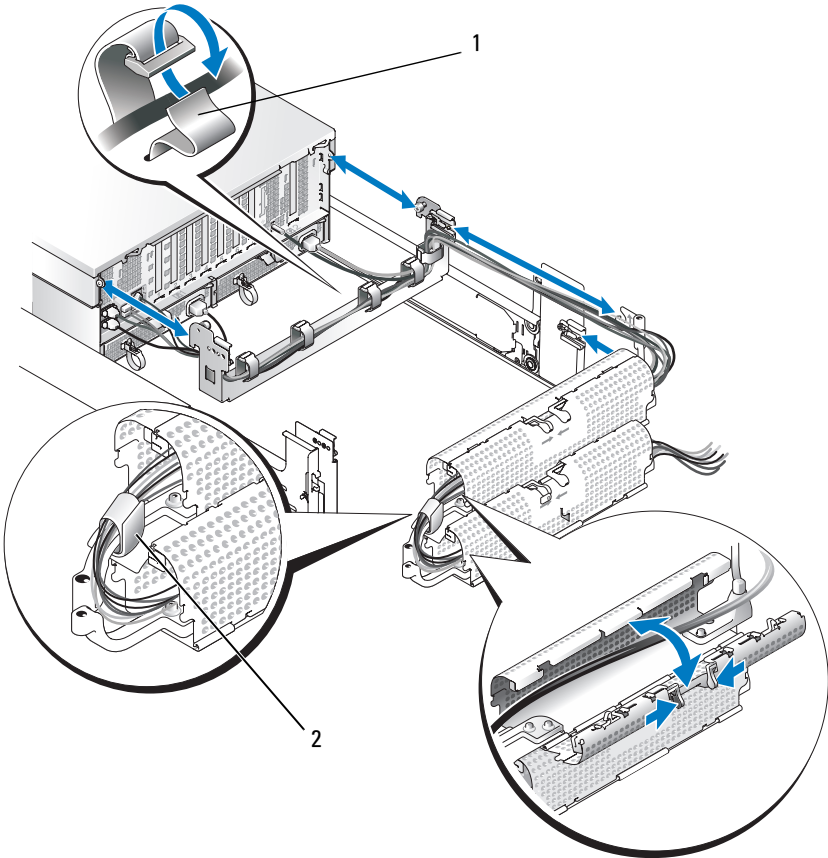
For details on cable connections, see your system's *Installation and Troubleshooting Guide* and the *User's Guide*.

**NOTE:** Use the strain-relief loops (if available) on the back of the power supplies to provide strain relief for the power cables.



- 5** Secure the cables to the horizontal surface of the cable tray using the Velcro straps, then route the cables along the bend to where the cable-management arm attaches to the cable tray, and secure the cables with the vertical Velcro strap (see Figure 1-10).
- 6** Route the cables along the cable-management arm through both cable baskets, starting with the upper basket and exiting the lower basket (see Figure 1-10).
- 7** Adjust the cable slack as needed at the hinge position.
- 8** Use the Velcro strap that ships with your system to tightly secure the cable bundle to the cable basket elbow.
- 9** Close the cable baskets.
- 10** Unscrew the thumbscrews that secure the front of the system to the front vertical rail.


**Figure 1-10. Routing Cables on the Cable-Management Arm**




1 cable tray Velcro strap (6)

2 CMA Velcro strap

- 11 Slide the system in and out of the rack to verify that the cables are routed correctly and do not bind, stretch, or pinch with the movement of the cable-management arm. Adjust the cable positioning inside the cable baskets as needed.

 **NOTE:** If you pull the system out to its furthest extension, the slide assemblies will lock in the extended position. To release the lock, press the slide release latch on the side of the slide and then slide the system into the rack.

- 12 Secure the cable-management arm retainer to the back of the rack using the captive thumbscrews.

 **NOTE:** Be sure to route the system cables under the retainer bar so that the cables do not obstruct when the bar is opened or closed.



# Guide d'installation du rack Dell™



# Remarques, avis et précautions



**REMARQUE** : Une REMARQUE indique des informations importantes qui peuvent vous aider à mieux utiliser votre ordinateur.



**AVIS** : Un AVIS vous avertit d'un risque de dommage matériel ou de perte de données et vous indique comment éviter le problème.



**PRÉCAUTION** : Une PRÉCAUTION indique un risque potentiel d'endommagement du matériel, de blessure corporelle ou de mort.

---

**Les informations contenues dans ce document peuvent être modifiées sans préavis.**

© 2007 Dell Inc. Tous droits réservés.

La reproduction de ce document de quelque manière que ce soit sans l'autorisation écrite de Dell Inc. est strictement interdite.

Marques utilisées dans ce document : *Dell*, le logo *DELL*, *RapidRails* et *VersaRails* sont des marques de Dell Inc. ; *Intel*, *Pentium* et *Celeron* sont des marques déposées de Intel Corporation ; *Microsoft* et *Windows* sont des marques ou des marques déposées de Microsoft Corporation aux États-Unis et/ou dans d'autres pays.

D'autres marques et noms de marques peuvent être utilisés dans ce document pour faire référence aux entités se réclamant de ces marques et de ces noms ou à leurs produits. Dell Inc. dénie tout intérêt propriétaire vis-à-vis des marques et des noms de marque autres que les siens.

# Table des matières

<b>Consignes de sécurité</b> . . . . .	<b>31</b>
SÉCURITÉ : montage en rack des systèmes . . . . .	31
<b>Instructions d'installation</b> . . . . .	<b>33</b>
Avant de commencer . . . . .	33
Tâches d'installation . . . . .	34
Outils et fournitures recommandés . . . . .	35
Contenu du kit RapidRails . . . . .	35
Contenu du kit VersaRails . . . . .	37
<b>Marquage du rack</b> . . . . .	<b>39</b>
<b>Installation des assemblages à glissière RapidRails</b> . . . . .	<b>41</b>
<b>Installation des assemblages à glissière VersaRails</b> . . . . .	<b>43</b>
<b>Installation du système dans le rack</b> . . . . .	<b>45</b>
<b>Installation du chemin de câbles et du bras de gestion des câbles</b> . . . . .	<b>47</b>
Fixation du chemin de câbles sur le système . . . . .	47
Fixation du bras de gestion des câbles . . . . .	48
<b>Acheminement des câbles</b> . . . . .	<b>50</b>






## Consignes de sécurité


Respectez les consignes de sécurité de ce guide pour assurer votre sécurité personnelle et pour contribuer à protéger le système et l'environnement de travail de dommages potentiels. Pour obtenir des informations complètes concernant la sécurité, consultez le document *Product Information Guide* (Guide d'information sur le produit).


### SÉCURITÉ : montage en rack des systèmes

Pour garantir la stabilité du rack, ainsi que votre sécurité, respectez les précautions suivantes.

Les systèmes sont considérés comme les composants d'un rack. Le terme "composant" peut donc aussi bien désigner un système que les différents périphériques ou matériels associés.

 **PRÉCAUTION** : Avant d'installer des systèmes dans un rack autonome, installez d'abord les pieds stabilisateurs avant et latéraux. Pour plusieurs racks associés, installez d'abord les pieds stabilisateurs avant. L'installation de systèmes dans un rack non équipé de pieds stabilisateurs peut provoquer son basculement et entraîner des blessures dans certaines situations. Il est donc impératif d'installer les pieds stabilisateurs du rack avant d'ajouter des composants dans celui-ci.


 **PRÉCAUTION** : Après avoir installé un système ou des composants dans un rack, ne faites jamais coulisser hors du rack plus d'un composant à la fois. Le poids de plusieurs composants sortis du rack risquerait de le faire basculer et de provoquer des blessures.

 **REMARQUE** : Le système est certifié sur le plan de la sécurité en tant qu'unité autonome et en tant que composant destiné à être utilisé dans une armoire rack à l'aide du kit de rack client, à condition que l'armoire et le kit d'installation utilisés aient été conçus pour ce système. L'installation du système et du kit d'installation en rack dans une autre armoire n'a reçu aucune homologation des organismes de certification de la sécurité. Il est de votre entière responsabilité de faire évaluer par un organisme de sécurité agréé la combinaison finale formée par le système, le kit d'installation et l'armoire rack. Le constructeur décline toute responsabilité et garantie liée à ces combinaisons.


- Les kits de rack sont conçus pour être installés par des techniciens de maintenance qualifiés dans des racks homologués. Si vous installez ce kit dans un autre rack, assurez-vous que ce dernier possède les spécifications requises.
- Avant de travailler sur le rack, vérifiez que les pieds stabilisateurs sont fixés au rack, qu'ils touchent le sol et que tout le poids du rack repose sur le sol. Avant d'intervenir sur un rack autonome, installez d'abord les pieds stabilisateurs avant et latéraux. Pour plusieurs racks associés, installez d'abord les pieds stabilisateurs avant.
- Chargez le rack du bas vers le haut, en installant toujours l'élément le plus lourd en premier.
- Assurez-vous que le rack est d'aplomb et stable avant de tirer un composant hors de son compartiment.
- Agissez avec précaution lorsque vous appuyez sur les loquets de dégagement des rails pour insérer ou retirer un composant. Veillez notamment à ne pas coincer vos doigts dans les assemblages à glissière.
- Après avoir inséré un composant dans le rack, tirez doucement le rail vers l'avant jusqu'au point de blocage, puis faites glisser le composant dans le rack.
- Ne surchargez pas le circuit d'alimentation secteur du rack. La consommation totale du rack ne doit pas dépasser 80 % de la capacité du circuit.
- Assurez-vous que les éléments installés dans le rack disposent d'une ventilation suffisante.
- Ne montez jamais sur un système ou composant lorsque vous intervenez sur d'autres systèmes ou composants du rack.

# Instructions d'installation

Ce guide d'installation s'adresse à des techniciens de maintenance qualifiés. Il contient les instructions relatives à l'installation d'un ou de plusieurs systèmes dans un rack à châssis ouvert ou une armoire rack. Le kit de rack RapidRails™ peut être installé sans outils dans toutes les armoires racks du constructeur dotées de trous carrés ; le kit VersaRails™ peut être installé dans la plupart des armoires racks standard équipées de trous carrés ou ronds. Les procédures permettant d'installer les kits RapidRails et VersaRails sont similaires. Un kit de rack est nécessaire pour chaque système à installer.


 **PRÉCAUTION : N'installez pas de composants correspondant à un kit de rack prévu pour un autre système. Utilisez uniquement le kit de rack conçu pour votre système. Sinon, vous risquez d'endommager le système et de vous blesser ou de blesser une autre personne.**


Le kit de rack RapidRails peut être installé dans la plupart des armoires rack standard.

 **AVIS :** Le kit RapidRails est prévu pour être installé par des techniciens de maintenance qualifiés dans un rack conforme aux spécifications des organismes suivants : American National Standards Institute (ANSI)/Electronic Industries Association (EIA) norme ANSI/EIA-310-D-92, International Electrotechnical Commission (IEC) 297 et Deutsche Industrie Norm (DIN) 41494. Vous devez utiliser un kit pour chaque système installé dans le rack.

## Avant de commencer


Avant de commencer à installer le système dans le rack, lisez attentivement la section “Consignes de sécurité” au début de ce document, ainsi que les consignes de sécurité figurant dans le document *Product Information Guide* (Guide d'information sur le produit) pour plus d'informations.

 **PRÉCAUTION :** Si vous installez plusieurs systèmes dans un rack, terminez toutes les opérations requises sur le système en cours d'installation avant de passer au suivant.


 **PRÉCAUTION :** Les armoires racks peuvent être extrêmement lourdes, mais les roulettes permettent de les déplacer facilement. Procédez avec la plus grande prudence pour déplacer une armoire rack. Rentez ses pieds réglables lorsque vous la changez d'emplacement. Évitez de déplacer l'armoire rack le long de rampes ou de plans inclinés trop longs ou trop abrupts, sur lesquels elle pourrait vous échapper. Ressortez les pieds réglables lorsque l'armoire doit être soutenue et pour lui éviter de se déplacer sur ses roulettes.


## Informations importantes concernant la sécurité

Respectez les consignes de sécurité décrites dans les sous-sections suivantes lors de l'installation du système dans le rack.

 **PRÉCAUTION :** Vous devez respecter à la lettre les procédures de ce document afin de garantir votre propre protection ainsi que celle d'autrui. Le système peut être très lourd et volumineux. Une préparation et une planification adéquates sont donc importantes afin d'éviter tout risque de blessure pour vous-même ou autrui. Ces précautions sont d'autant plus importantes lorsque les systèmes sont installés en hauteur.

### Pieds stabilisateurs du rack

 **PRÉCAUTION :** Avant d'installer des systèmes dans un rack autonome, installez d'abord les pieds stabilisateurs avant et latéraux. Pour plusieurs racks associés, installez d'abord les pieds stabilisateurs avant. L'installation de systèmes dans un rack non équipé de pieds stabilisateurs peut provoquer son basculement et entraîner des blessures dans certaines situations. Installez toujours les pieds stabilisateurs avant d'ajouter des composants dans le rack.

 **PRÉCAUTION :** Après avoir installé des systèmes dans un rack, ne faites jamais coulisser hors du rack plus d'un système à la fois. Le poids de plusieurs systèmes sortis du rack risquerait de le faire basculer et de blesser quelqu'un.

Les pieds stabilisateurs évitent au rack de basculer lorsque vous étendez les assemblages à glissière au maximum pour tirer un système ou un composant hors du rack. Consultez la documentation fournie avec l'armoire rack pour savoir comment installer et fixer les pieds stabilisateurs.

## Tâches d'installation

Pour installer un kit, vous devez effectuer les tâches suivantes dans l'ordre indiqué :

- 1 Marquage du rack (si nécessaire)
- 2 Installation des assemblages de rails dans le rack
  - Installation du kit RapidRails
  - Installation du kit VersaRails
- 3 Installation du système dans le rack
- 4 Installation du chemin de câbles et du bras de gestion des câbles
- 5 Acheminement des câbles

## **Outils et fournitures recommandés**

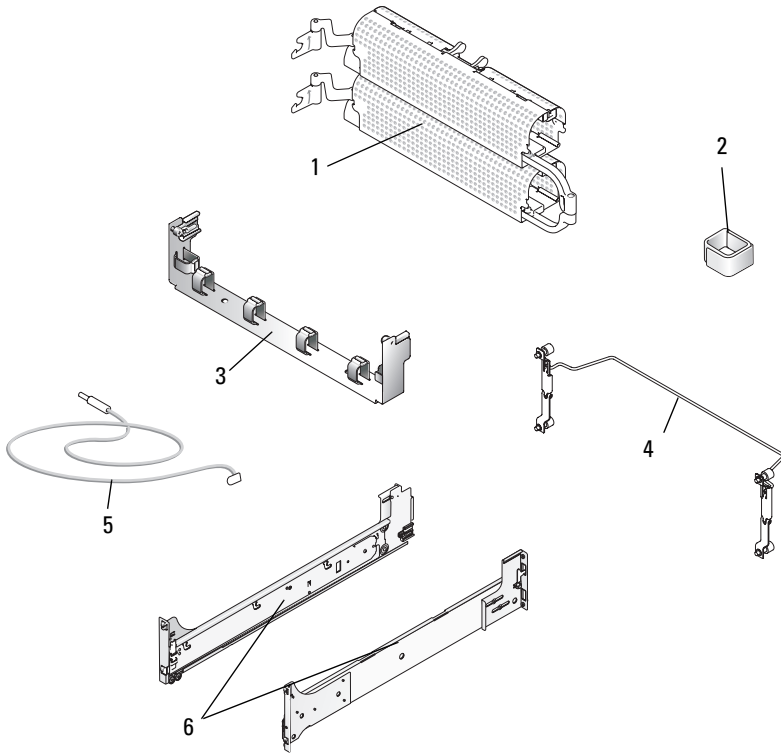
- Tournevis cruciforme n° 2
- Bande adhésive ou stylo feutre, pour marquer les orifices de montage à utiliser
- Règle ou mètre-ruban

## **Contenu du kit RapidRails**

Le kit RapidRails comprend les éléments suivants (voir Figure 1-1) :

- Une paire d'assemblages à glissière RapidRails
- Un bras de gestion des câbles
- Une tige de retenue pour le bras de gestion des câbles
- Un chemin de câbles
- Un câble de voyant d'état (si nécessaire)
- Une bande Velcro

**Figure 1-1. Contenu du kit RapidRails**



- |   |   |   |                                    |
|---|---|---|------------------------------------|
| 1 | Bras de gestion des câbles                | 2 | Bande Velcro                       |
| 3 | Chemin de câbles                          | 4 | Tige de retenue                    |
| 5 | Câble de voyant d'état<br>(si nécessaire) | 6 | Assemblages à glissière RapidRails |

## Contenu du kit VersaRails

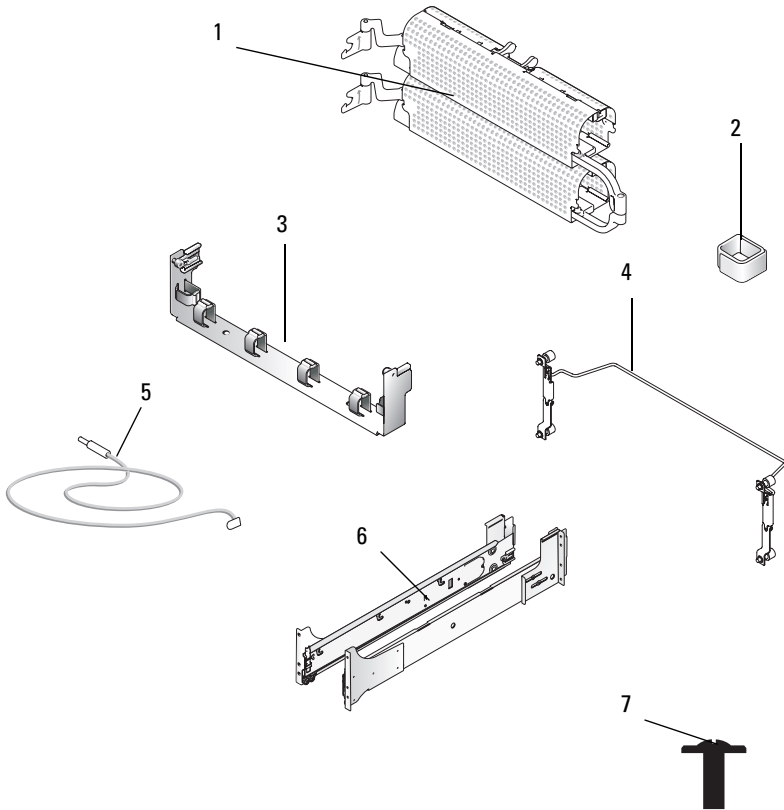
Le kit VersaRails comprend les éléments suivants (voir Figure 1-2) :

- Une paire d'assemblages à glissière VersaRails
- Un bras de gestion des câbles
- Une tige de retenue pour le bras de gestion des câbles
- Un chemin de câbles
- Un câble de voyant d'état (si nécessaire)
- Huit vis cruciformes à tête plate 10-32 x 0,5 pouce
- Une bande Velcro



**REMARQUE** : Les vis non métriques décrites dans les illustrations et les instructions sont identifiées en fonction de leur taille et de leur nombre de filets par pouce. Par exemple, une vis cruciforme n° 10 avec 32 filets par pouce est appelée "vis 10-32".

**Figure 1-2. Contenu du kit VersaRails**



- |   |   |   |                                       |
|---|---|---|---------------------------------------|
| 1 | Bras de gestion des câbles                      | 2 | Bande Velcro                          |
| 3 | Chemin de câbles                                | 4 | Tige de retenue                       |
| 5 | Câble de voyant d'état<br>(si nécessaire)       | 6 | Assemblages à glissière<br>VersaRails |
| 7 | Dix vis cruciformes à tête plate 32 x 0,5 pouce |   |                                       |



## Marquage du rack

Vous devez compter un espace vertical de 4 U (7 pouces, soit 17,78 cm) pour chaque système à installer dans le rack (voir Figure 1-3).


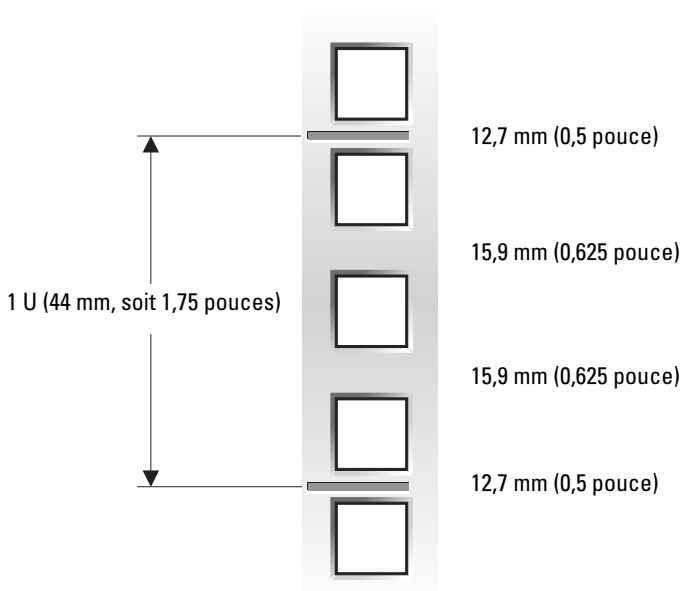

 **REMARQUE :** Il se peut que votre rack soit déjà marqué, auquel cas cette procédure est inutile.

Figure 1-3. Unité de rack



 **PRÉCAUTION :** Si vous installez plusieurs systèmes, placez les assemblages à glissière de façon que le premier système soit installé le plus bas possible dans le rack.

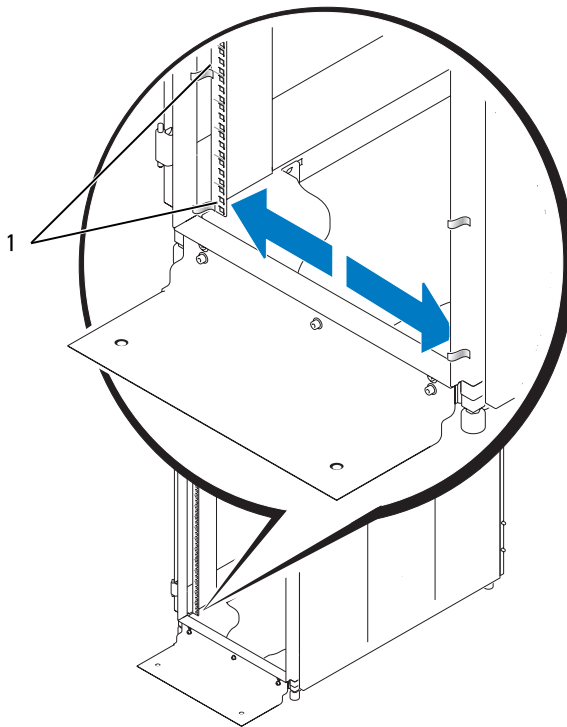
Pour marquer le rack, procédez comme suit :

- 1 Placez une marque sur les rails verticaux avant du rack, à l'endroit où vous souhaitez placer le bas du système à installer dans l'armoire rack.

Le bas de chaque espace de 1 U se trouve au milieu de la zone métallique la plus étroite entre les trous (repérée par une ligne horizontale sur certaines armoires racks ; voir Figure 1-4).

- 2 Placez une marque à 17,78 centimètres (7 pouces) au-dessus de la marque que vous avez faite au départ (ou remontez de 12 trous dans les racks conformes à la norme EIA-310), puis marquez les rails verticaux avant du rack avec un stylo feutre ou de la bande adhésive. Si vous avez compté les trous, placez une marque juste au-dessus du trou supérieur. Cette marque ou ce morceau de bande adhésive indique la position future du haut du système sur les rails verticaux (voir Figure 1-4).

**Figure 1-4. Marquage des rails verticaux**



- 1 Bande apposée sur le rail vertical

# Installation des assemblages à glissière RapidRails

- 1 À l'avant de l'armoire rack, positionnez l'un des assemblages à glissière RapidRails de façon que la collerette de son support de montage s'insère à l'endroit approprié sur le rack (voir Figure 1-5).

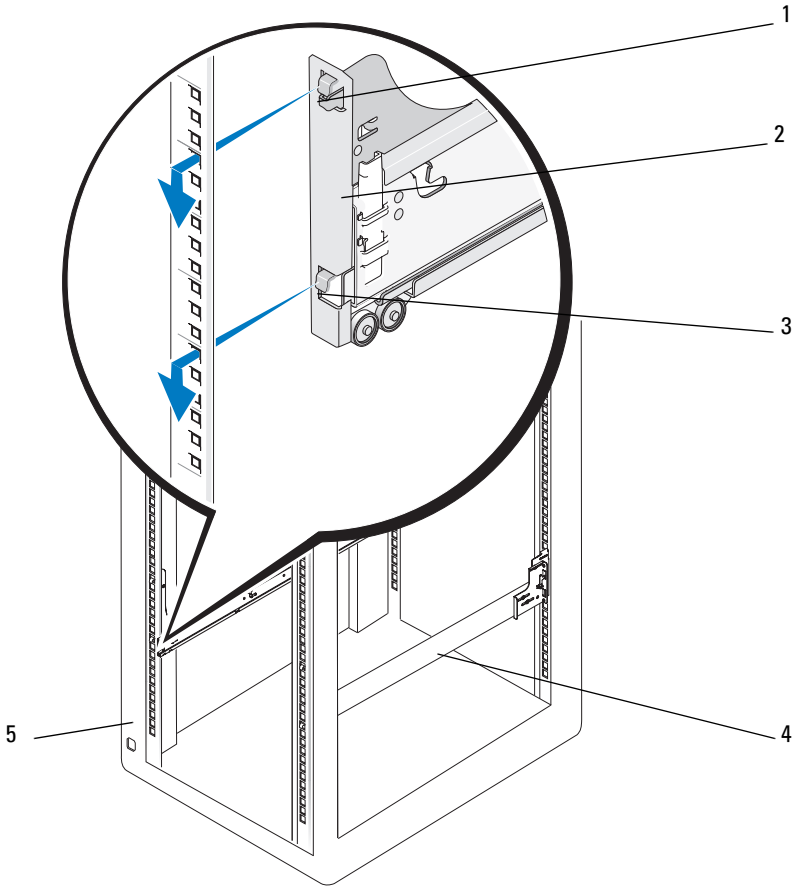
Le crochet de fixation supérieur situé sur la collerette avant du support de montage doit pénétrer dans le trou du haut, entre les marques faites sur les rails verticaux.

- 2 Poussez l'assemblage à glissière vers l'avant jusqu'à ce que le crochet de montage supérieur pénètre dans le trou carré approprié, juste en dessous des marques (ou du morceau de bande adhésive) placées sur le rail vertical. Ensuite, appuyez sur la collerette jusqu'à ce que les crochets de montage s'emboîtent dans les trous carrés et que le bouton-poussoir ressorte avec un déclic (voir Figure 1-5).
- 3 À l'arrière de l'armoire, tirez la collerette de montage vers l'arrière jusqu'à ce que les crochets s'insèrent dans les trous appropriés, puis appuyez sur la collerette jusqu'à ce que ces crochets s'emboîtent dans les trous carrés et que le bouton-poussoir ressorte avec un déclic.
- 4 Recommencez les étapes 1 à 3 pour installer le second assemblage à glissière de l'autre côté du rack.



**REMARQUE :** Vérifiez que les rails sont montés à la même hauteur des deux côtés du rack.

**Figure 1-5. Installation des assemblages à glissière RapidRails**



- |   |                         |   |   |
|---|-------------------------|---|---|
| 1 | Bouton poussoir         | 2 | Colerette du support de montage de l'assemblage à glissière |
| 3 | Crochets de montage (2) | 4 | Assemblages à glissière (2)                                 |
| 5 | Avant du rack           |   |   |

# Installation des assemblages à glissière VersaRails

- 1 À l'avant de l'armoire rack, positionnez l'un des assemblages à glissière VersaRails de façon que la collerette de son support de montage s'insère entre les marques ou la bande adhésive (ou l'emplacement numéroté) sur le rack (voir Figure 1-6).

Les trous situés à l'avant du support de montage doivent s'aligner avec ceux qui se trouvent entre les marques faites sur le rail vertical avant.

- 2 Insérez une vis cruciforme à tête plate 10-32 x 0,5 pouce dans les trous supérieur et inférieur de la collerette du support de montage (voir Figure 1-6).
- 3 À l'arrière de l'armoire, tirez la collerette de montage vers l'arrière jusqu'à ce que les trous de montage s'alignent avec les trous correspondants du rail vertical arrière.
- 4 Insérez une vis cruciforme à tête plate 10-32 x 0,5 pouce dans le deuxième et le troisième trou (orifices centraux) de la collerette de montage arrière, afin de fixer l'assemblage à glissière sur le rail vertical arrière.



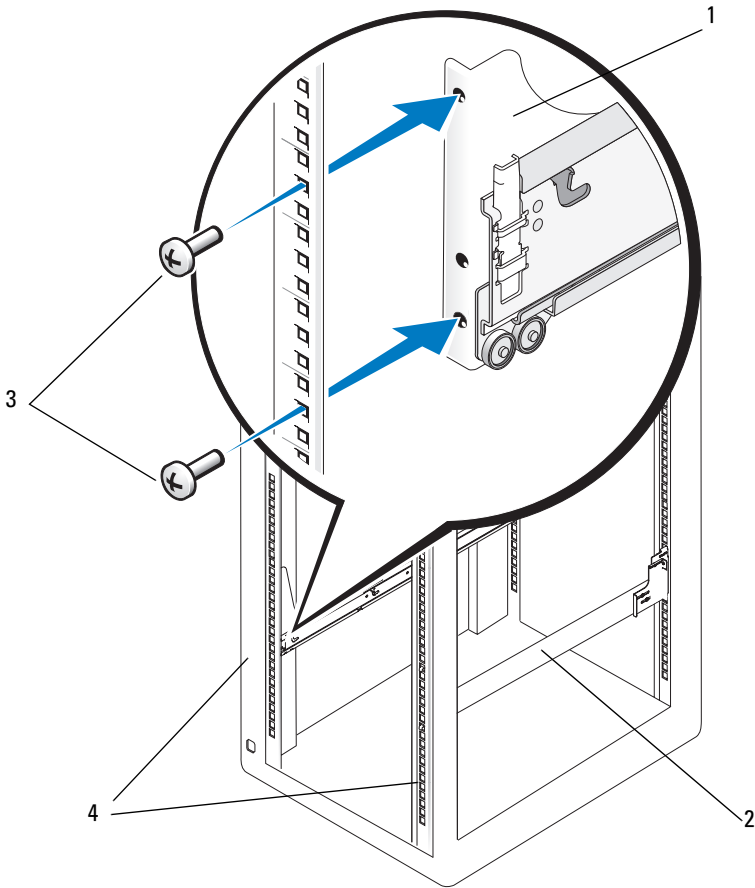
**REMARQUE :** Le trou du haut et celui du bas de la collerette seront ensuite utilisés pour installer la tige de retenue du bras de gestion des câbles.

- 5 Recommencez les étapes 1 à 4 pour installer le second assemblage à glissière de l'autre côté du rack.




**REMARQUE :** Vérifiez que les rails sont montés à la même hauteur des deux côtés du rack.

**Figure 1-6. Installation des assemblages à glissière VersaRails**



- |   |  |   |                             |
|---|--|---|-----------------------------|
| 1 | Collerette du support de montage de l'assemblage à glissière | 2 | Assemblages à glissière (2) |
| 3 | Vis cruciformes à tête plate (2)                             | 4 | Avant du rack               |

## Installation du système dans le rack

 **PRÉCAUTION** : Si vous installez plusieurs systèmes, installez le premier le plus bas possible dans le rack.

 **PRÉCAUTION** : Ne tirez jamais plusieurs composants hors du rack en même temps.

- 1 Tirez les deux assemblages à glissière internes hors du rack jusqu'à ce qu'ils se bloquent.

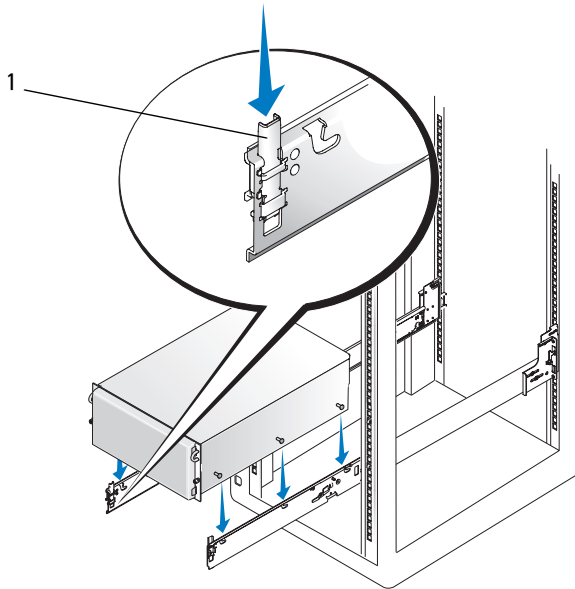
 **PRÉCAUTION** : La taille et le poids du système sont importants ; n'essayez jamais d'installer ce dernier dans les assemblages à glissière sans vous faire aider.

- 2 Soulevez le système et placez-le dans la bonne position.

L'opération doit être réalisée par au moins deux personnes. Chaque personne doit placer une main sous l'avant du système, et l'autre sous l'arrière du système.

- 3 Inclinez l'avant du système vers le haut tout en faisant correspondre les vis à épaulement arrière, sur les côtés du système, avec les fentes situées à l'arrière des assemblages à glissière (voir Figure 1-7).

**Figure 1-7. Installation du système dans le rack**



- 1 Mécanisme de verrouillage du système**
- 4** Engagez la vis à épaulement arrière dans la fente située juste derrière le loquet de dégagement de la glissière, puis engagez la vis centrale et celle située à l'avant.
- 5** Poussez le système vers l'intérieur sur les assemblages à glissière jusqu'à ce que le mécanisme s'enclenche et verrouille la glissière sur le système. Voir Figure 1-7.
- 6** Tirez les loquets de dégagement vers le haut et poussez le système dans le rack.
- 7** Serrez les vis moletées sur le panneau avant du rack.



# Installation du chemin de câbles et du bras de gestion des câbles

Cette procédure comprend deux étapes. Vous devez d'abord installer le chemin de câbles à l'arrière du châssis du système, puis fixer le bras de gestion des câbles sur le chemin de câbles.

## Fixation du chemin de câbles sur le système



**REMARQUE :** La procédure à utiliser pour fixer le chemin de câbles à l'arrière du système varie en fonction du modèle qui vous a été fourni avec le kit de rails. Les deux chemins de câbles sont représentés Figure 1-8.

## Montage du type I

- 1 Alignez les pattes métalliques situées au bas du chemin de câbles avec les fentes correspondantes, à l'arrière du châssis du système.
- 2 Insérez les pattes dans les fentes et faites pivoter le chemin de câbles vers le bas pour le mettre en place (voir Figure 1-8).
- 3 Fixez le chemin de câbles au système à l'aide des deux vis moletées imperdables.

## Montage du type II

- 1 Alignez les pattes métalliques situées sur les côtés du chemin de câbles avec les encoches recourbées situées sur les parois internes, à l'arrière du châssis du système.
- 2 Glissez les pattes métalliques sur les encoches et appuyez sur le chemin de câbles pour le mettre en place (voir Figure 1-8).
- 3 Fixez le chemin de câbles au système à l'aide des deux vis moletées imperdables.



**PRÉCAUTION :** Le chemin de câbles n'est pas conçu pour supporter le poids du système. Ne l'utilisez pas pour soulever ce dernier. Pour soulever le système, saisissez uniquement les bords du châssis.

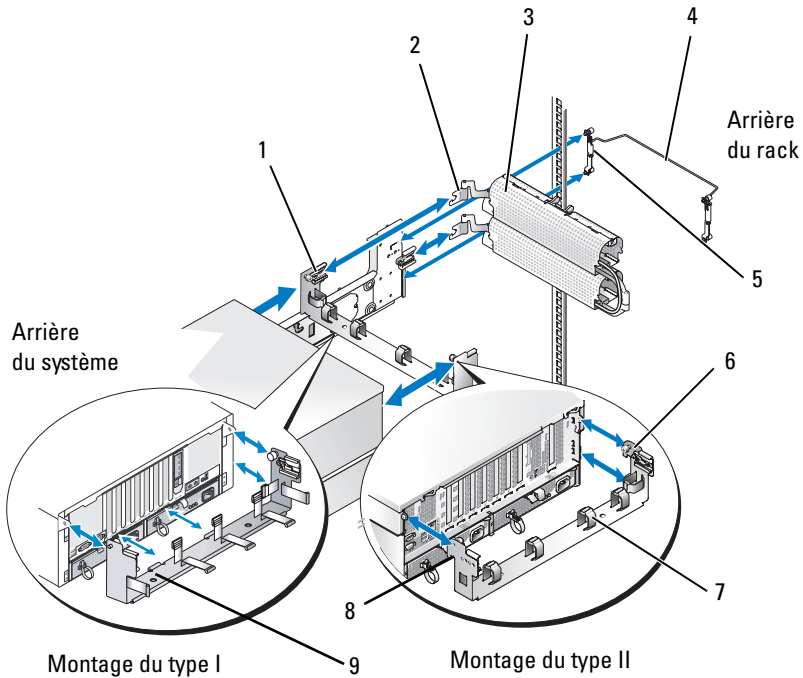
## Fixation du bras de gestion des câbles



**REMARQUE :** Le bras de gestion des câbles peut être installé des deux côtés du chemin de câbles.

- 1 Placez-vous derrière l'armoire rack. Enfoncez la patte située à l'avant du bras de gestion des câbles dans le loquet du chemin de câbles, jusqu'à ce que vous sentiez un déclic (voir Figure 1-8).
- 2 Enfoncez la patte qui se trouve à l'extrémité non fixée du bras de gestion des câbles dans le loquet situé au bout de l'assemblage à glissière, jusqu'à ce que vous sentiez un déclic.

**Figure 1-8. Installation du bras de gestion des câbles**



- |   |                              |   |                              |
|---|------------------------------|---|------------------------------|
| 1 | Loquet du chemin de câbles   | 2 | Pattes                       |
| 3 | Bras de gestion des câbles   | 4 | Tige de retenue              |
| 5 | Vis moletées imperdables (4) | 6 | Vis moletées imperdables (2) |
| 7 | Bande Velcro                 | 8 | Pattes métalliques           |
| 9 | Pattes de montage (2)        |   |                              |

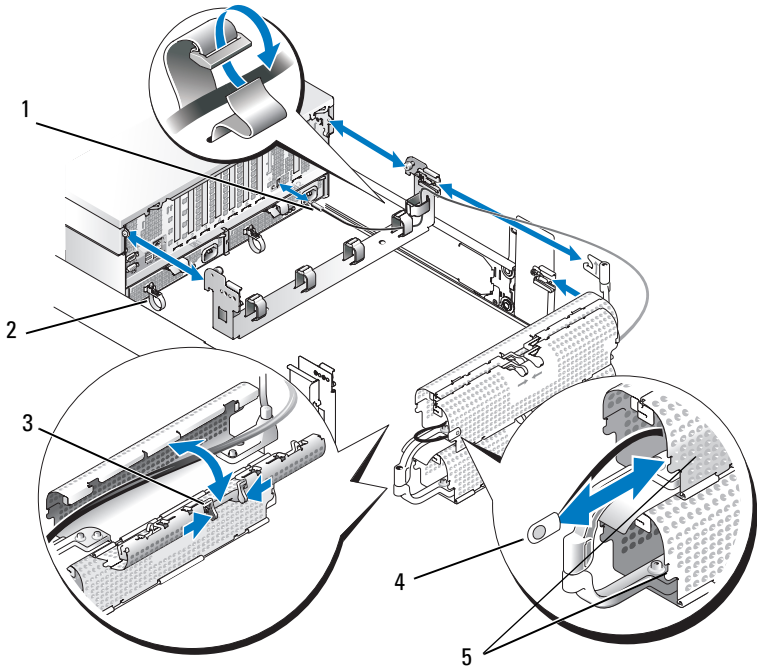


**REMARQUE :** La figure 1-8 présente les deux types de rails permettant de connecter le rack au système.

## Acheminement des câbles

- 1** Le cas échéant, insérez la fiche du câble du voyant d'état du système dans le connecteur approprié, sur le panneau arrière du système (voir Figure 1-9).
- 2** Ouvrez chaque conduit du bras de gestion des câbles en appuyant sur les loquets de dégagement prévus à cet effet.  
Les conduits s'ouvrent pour permettre la mise en place des câbles.
- 3** Acheminez le câble du voyant d'état dans le bras de gestion des câbles, en commençant par le conduit supérieur et en terminant éventuellement par le conduit inférieur. Insérez l'extrémité dotée du voyant dans l'un des emplacements appropriés, sur le bras de gestion des câbles (voir Figure 1-9).

**Figure 1-9. Installation du câble du voyant d'état du système**



- |   |  |   |   |
|---|--|---|---|
| 1 | Fiche du câble du voyant d'état du système | 2 | Boucles (une par bloc d'alimentation, le cas échéant) |
| 3 | Loquet de dégagement                       | 4 | Voyant d'état du système                              |
| 5 | Connecteur du voyant d'état du système     |   |   |

- 4 Branchez les câbles d'E/S et les câbles d'alimentation sur les connecteurs correspondants, à l'arrière du système.

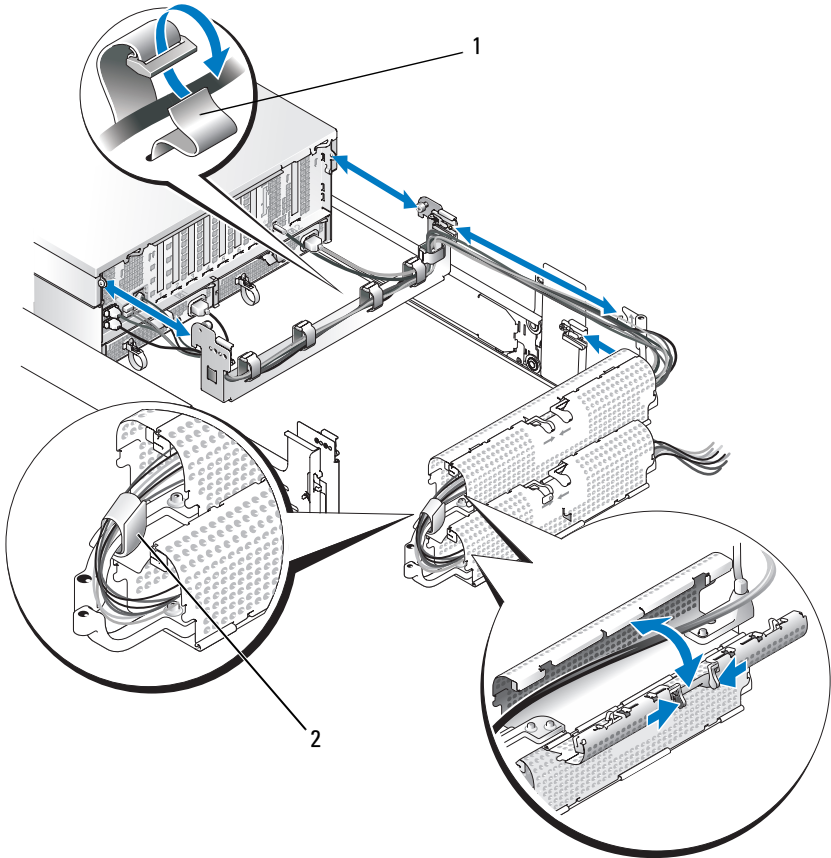
Pour plus d'informations sur la connexion des câbles, reportez-vous aux documents *Installation and Troubleshooting Guide* (Guide d'installation et de dépannage) et *User's Guide* (Guide d'utilisation) fournis avec le système.



**REMARQUE :** Pour éviter une tension excessive des câbles d'alimentation, faites-les passer dans les boucles situées à l'arrière des blocs d'alimentation, le cas échéant.

- 5 Utilisez les bandes Velcro pour attacher les câbles sur la surface horizontale du chemin de câbles. Acheminez les câbles pour les faire passer à l'endroit où le bras de gestion est fixé sur le chemin de câbles. Fixez-les ensuite à l'aide de la bande Velcro verticale (voir Figure 1-10).
- 6 Faites passer les câbles dans les deux conduits du bras de gestion des câbles, en commençant par celui du haut (voir Figure 1-10).
- 7 Réglez la tension des câbles pour qu'il y ait suffisamment de jeu au niveau de la charnière.
- 8 Utilisez la bande Velcro fournie avec le système pour attacher le faisceau de câbles au niveau du coude du conduit de câbles.
- 9 Refermez les conduits de câbles.
- 10 Desserrez les vis moletées fixant l'avant du système au rail vertical avant.

**Figure 1-10. Acheminement des câbles dans le bras de gestion des câbles**



1 Bande Velcro du chemin de câbles (6)

2 Bande Velcro du bras de gestion des câbles

- 11 Poussez le système dans le rack puis ressortez-le, pour vérifier que les câbles sont installés correctement. Ils ne doivent pas se bloquer, se tendre ni se coincer lorsque le bras de gestion des câbles se déplace. Réajustez la position des câbles dans les conduits, si nécessaire.



**REMARQUE :** Si vous tirez le système complètement hors du rack, les assemblages à glissière se verrouillent dans cette position. Pour les déverrouiller, appuyez sur le loquet de dégagement situé sur le côté de la glissière, puis faites coulisser le système dans le rack.

- 12 Fixez la tige de retenue du bras de gestion des câbles sur l'arrière du rack, à l'aide des vis moletées imperdables.



**REMARQUE :** Vérifiez que les câbles du système passent sous la tige de retenue et n'entravent pas sa course.



# Dell™ Rack- Installationshandbuch



# Anmerkungen, Hinweise und Vorsichtshinweise



**ANMERKUNG:** Eine ANMERKUNG macht auf wichtige Informationen aufmerksam, die Ihnen die Arbeit mit dem Computer erleichtern.



**HINWEIS:** Ein HINWEIS zeigt entweder potenziellen Schaden an der Hardware oder Verlust von Daten an und zeigt Ihnen, wie man das Problem vermeidet.



**VORSICHT:** Hiermit werden Sie auf eine potentiell gefährliche Situation hingewiesen, die zu Sachschäden, Verletzungen oder zum Tod von Menschen führen könnte.

---

**Irrtümer und technische Änderungen vorbehalten.**

© 2007 Dell Inc. Alle Rechte vorbehalten.

Nachdrucke jeglicher Art ohne die vorherige schriftliche Genehmigung von Dell Inc. sind strengstens untersagt.

Marken in diesem Text: *Dell*, das *DELL* Logo, *RapidRails* und *VersaRails* sind Marken von Dell Inc.; *Intel*, *Pentium* und *Celeron* sind eingetragene Marken von Intel Corporation; *Microsoft* und *Windows* sind Marken oder eingetragene Marken von Microsoft Corporation in den USA und/oder anderen Ländern.

Alle anderen in dieser Dokumentation genannten Marken und Handelsbezeichnungen sind Eigentum der entsprechenden Hersteller und Firmen. Dell Inc. verzichtet auf alle Besitzrechte an Marken und Handelsbezeichnungen, die nicht ihr Eigentum sind.

# Inhalt

<b>Sicherheitshinweise</b> . . . . .	<b>59</b>
SICHERHEIT: Systeme im Rack montieren . . . . .	59
<b>Installationsanleitung</b> . . . . .	<b>61</b>
Vorbereitungen . . . . .	61
Ablauf der Installation . . . . .	63
Empfohlene Werkzeuge und Zubehör . . . . .	63
Inhalt des RapidRails-Rack-Kits . . . . .	63
Inhalt des VersaRails-Rack-Kits . . . . .	65
<b>Markieren des Racks</b> . . . . .	<b>67</b>
<b>Einbauen der RapidRails-Laufschienen</b> . . . . .	<b>70</b>
<b>Einbauen der VersaRails-Laufschienen</b> . . . . .	<b>72</b>
<b>Installation des Systems im Rack</b> . . . . .	<b>74</b>
<b>Einbau der Kabelablage und des Kabelarms</b> . . . . .	<b>76</b>
Kabelablage am System befestigen . . . . .	76
Kabelführungsarm befestigen . . . . .	77
<b>Verlegen der Kabel</b> . . . . .	<b>79</b>



# Sicherheitshinweise

Beachten Sie die nachfolgenden Sicherheitshinweise, um Ihre eigene Sicherheit zu gewährleisten und eine Beschädigung des Systems und der Arbeitsumgebung zu vermeiden. Vollständige Informationen über die Sicherheitsanforderungen finden Sie im *Produktinformationshandbuch*.

## SICHERHEIT: Systeme im Rack montieren

Folgende Vorsichtsmaßnahmen dienen der Stabilität und Sicherheit des Racks.

Systeme gelten als Komponenten in einem Rack. Der Begriff „Komponente“ kann ein beliebiges System oder verschiedene Peripheriegeräte oder Zusatzhardware bezeichnen.



**VORSICHT:** Bevor Sie Systeme in einem Rack einbauen, installieren Sie bei frei stehenden (einzelnen) Racks die vorderen und seitlichen Stabilisatoren und bei Racks, die mit anderen Racks verbunden sind, den vorderen Stabilisator. Wenn vor dem Einsetzen von Systemen in einem Rack keine Stabilisatoren angebracht werden, kann das Rack unter Umständen umkippen und Verletzungen verursachen. Befestigen Sie daher immer zuerst die Stabilisatoren, bevor Sie Komponenten im Rack installieren.



**VORSICHT:** Ziehen Sie nach dem Einbau von Systemen bzw. Komponenten in einem Rack niemals mehr als eine Komponente gleichzeitig auf den Laufschienen aus dem Rack. Durch das Gewicht von mehr als einer herausgezogenen Komponente kann das Rack umkippen und Verletzungen verursachen.



**ANMERKUNG:** Das System ist als frei stehende Einheit und als Komponente in einem Gestellschrank unter Verwendung des Customer-Rack-Kits sicherheitszertifiziert, wenn sowohl der Gestellschrank als auch das Rack-Kit für das betreffende System vorgesehen sind. Die Installation des Systems und des Rack-Kits in anderen Gestellschränken ist von keiner Prüfbehörde abgenommen. In diesem Fall müssen Sie selbst die Eignung der endgültigen Kombination von System und Rack-Kit für einen bestimmten Gestellschrank durch eine zugelassene Prüfbehörde untersuchen lassen. Der Hersteller lehnt jede Haftung und Gewährleistung für derartige Kombinationen ab.

- System-Rack-Kits sollten von geschulten Servicetechnikern in einem zugelassenen Rack installiert werden. Wenn Sie das Kit in einem anderen Rack installieren, vergewissern Sie sich, dass das Rack die Spezifikationen erfüllt.
- Bevor Sie an einem Rack arbeiten, vergewissern Sie sich, dass die Stabilisatoren sicher am Rack befestigt sind, fest auf dem Boden aufliegen und dass das gesamte Gewicht des Racks auf dem Boden lastet. Montieren Sie an einem einzelnen Rack vordere und seitliche Stabilisatoren, an mehreren miteinander verbundenen Racks vordere Stabilisatoren, bevor Sie Arbeiten am Rack durchführen.
- Bestücken Sie das Rack immer von unten nach oben, und bauen Sie die schwerste Komponente zuerst in das Rack ein.
- Vergewissern Sie sich, dass das Rack gerade und stabil steht, bevor Sie eine Komponente aus dem Rack ziehen.
- Achten Sie auf Ihre Finger, wenn Sie auf die Schienenverriegelung der Komponente drücken und eine Komponente in das Rack schieben oder aus dem Rack ziehen: Quetschgefahr!
- Wenn Sie eine Komponente in das Rack eingesetzt haben, ziehen Sie die Schienen vorsichtig in die Verriegelungsposition heraus und schieben Sie dann die Komponente in das Rack.
- Überlasten Sie nicht den Wechselstromkreis für das Rack. Die Gesamtlast des Racks sollte 80 Prozent der Nennbelastbarkeit des Stromkreises nicht überschreiten.
- Stellen Sie sicher, dass eine ausreichende Luftzufuhr zu den Komponenten im Rack gewährleistet ist.
- Stellen Sie sich nicht auf Systeme oder Komponenten, wenn Sie an anderen Komponenten in einem Rack Arbeiten durchführen.

# Installationsanleitung

Diese Installationsanleitung enthält Anweisungen für geschulte Servicetechniker zur Montage eines oder mehrerer Systeme in einem offenen Relaisgestell oder einem Gestellschrank. Das RapidRails™ Rack-Kit lässt sich ohne Werkzeuge in allen Herstellergestellschränken mit Rechtecklöchern installieren, und das VersaRails™ Rack-Kit in den meisten Standardgestellschränken mit Rechteck- oder Rundlöchern. Die Montage der RapidRails- und VersaRails-Rack-Kits verläuft ähnlich. Für jedes im Rack installierte System wird ein Rack-Kit benötigt.


 **VORSICHT:** Installieren Sie keine Rack-Kit-Komponenten, die für andere Systeme vorgesehen sind. Verwenden Sie ausschließlich das für das System vorgesehene Rack-Kit. Wenn Sie das Rack-Kit für ein anderes System verwenden, kann dies zu Beschädigungen am System und zu Verletzungen führen.


Das RapidRails Rack-Kit lässt sich in den meisten Standardgestellschränken installieren.

 **HINWEIS:** Das RapidRails-Rack-Kit muss von geschulten Servicetechnikern in einem Rack installiert werden, das den Spezifikationen des American National Standards Institute (ANSI) / Electronic Industries Association (EIA) Standard ANSI/EIA-310-D-92, der International Electrotechnical Commission (IEC) 297 und der Deutschen Industrie Norm (DIN) 41494 entspricht. Für jedes im Rack installierte System wird ein Rack-Kit benötigt.

## Vorbereitungen


Lesen Sie vor dem Einbau des Systems im Rack sorgfältig die Sicherheitshinweise am Anfang dieser Anleitung sowie die Sicherheitshinweise im *Produktinformationshandbuch*.

 **VORSICHT:** Wenn Sie mehrere Systeme in einem Rack installieren, schließen Sie alle Maßnahmen für ein System ab, bevor Sie das nächste System installieren.


 **VORSICHT:** Gestellschränke können sehr schwer sein und leicht wegrollen. Bewegen Sie ein Rack nur mit größter Vorsicht. Fahren Sie die höhenverstellbaren Füße ein, bevor Sie ein Rack bewegen. Vermeiden Sie lange bzw. steile Neigungen oder Rampen, auf denen Sie die Kontrolle über das Rack verlieren könnten. Fahren Sie die höhenverstellbaren Füße aus, damit das Rack abgestützt wird und nicht wegrollen kann.


## Wichtige Sicherheitshinweise

Beachten Sie beim Einbau des Systems im Rack die Sicherheitsmaßnahmen in den folgenden Unterabschnitten.

 **VORSICHT:** Befolgen Sie die in diesem Dokument angegebenen Vorgehensweisen genau, um sich selbst und andere Personen nicht zu gefährden. Das System ist möglicherweise sehr groß und schwer. Sie sollten die Installation sorgfältig vorbereiten und planen, um Verletzungen zu vermeiden. Dies gilt besonders, wenn Systeme weiter oben im Rack installiert werden.

### Rack-Stabilisatoren

 **VORSICHT:** Bevor Sie Systeme in einem Rack einbauen, installieren Sie bei frei stehenden (einzelnen) Racks die vorderen und seitlichen Stabilisatoren und bei Racks, die mit anderen Racks verbunden sind, den vorderen Stabilisator. Wenn vor dem Einsetzen von Systemen in einem Rack keine Stabilisatoren angebracht werden, kann das Rack unter Umständen umkippen und Verletzungen verursachen. Befestigen Sie daher immer zuerst die Stabilisatoren, bevor Sie Komponenten im Rack installieren.

 **VORSICHT:** Wenn Sie Systeme in einem Rack installiert haben, ziehen Sie niemals mehr als ein System gleichzeitig auf den Laufschiene aus dem Rack. Durch das Gewicht von mehr als einem herausgezogenen System kann das Rack umkippen und Verletzungen verursachen.

Die Stabilisatoren verhindern, dass das Rack umkippt, wenn ein System oder eine andere Komponente auf den Laufschiene vollständig aus dem Rack gezogen wird. Anleitungen zur Installation und Befestigung der Stabilisatoren finden Sie in der mit dem Gestellschrank gelieferten Dokumentation.



## **Ablauf der Installation**

Bei der Montage eines Rack-Kits sind die Arbeitsschritte in folgender Reihenfolge auszuführen:

- 1** Markieren des Racks (falls erforderlich)
- 2** Schienensätze im Rack installieren:
  - Installation von RapidRails
  - Installation von VersaRails
- 3** Installation des Systems im Rack
- 4** Einbau der Kabelablage und des Kabelarms
- 5** Verlegen der Kabel

## **Empfohlene Werkzeuge und Zubehör**

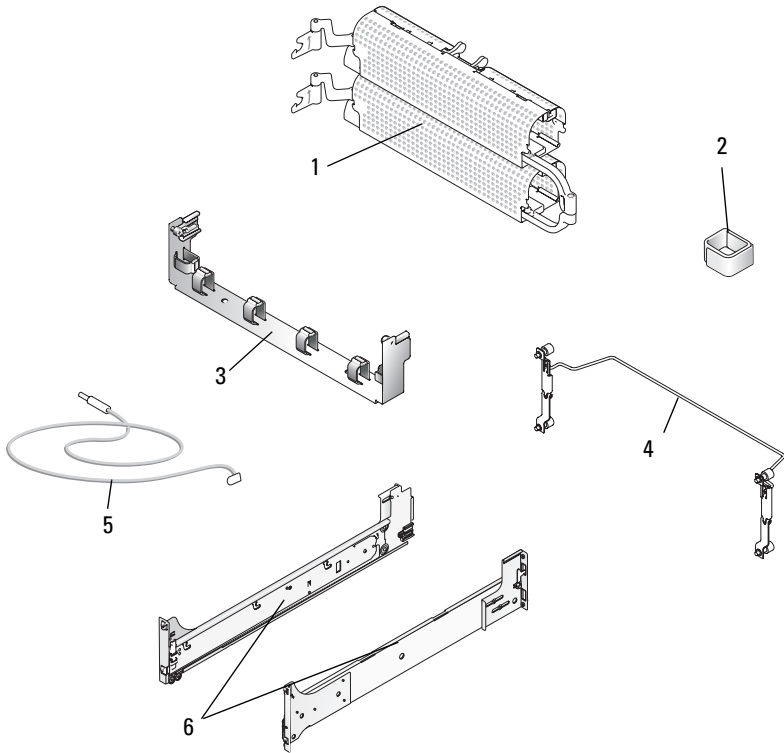
- Kreuzschlitzschraubendreher Nr. 2
- Kreppband oder einen Filzstift zur Markierung der verwendeten Rack-Montagelöcher
- Zollstock oder Maßband

## **Inhalt des RapidRails-Rack-Kits**

Das RapidRails-Rack-Kit enthält folgende Teile (siehe Abbildung 1-1):

- Ein Paar RapidRails-Laufschienen
- Ein Kabelführungsarm
- Ein Kabelführungsarmhalter
- Eine Kabelablage
- Ein Statusanzeigekabel (falls zutreffend)
- Ein Klettverschluss-Streifen

**Abbildung 1-1. Inhalt des RapidRails-Rack-Kits**



- |   |                                       |   |                         |
|---|---------------------------------------|---|-------------------------|
| 1 | Kabelführungsarm                      | 2 | Klettstreifen           |
| 3 | Kabelablage                           | 4 | Kabelführungsarmhalter  |
| 5 | Statusanzeigekabel (falls zutreffend) | 6 | VersaRails-Laufschienen |

## Inhalt des VersaRails-Rack-Kits

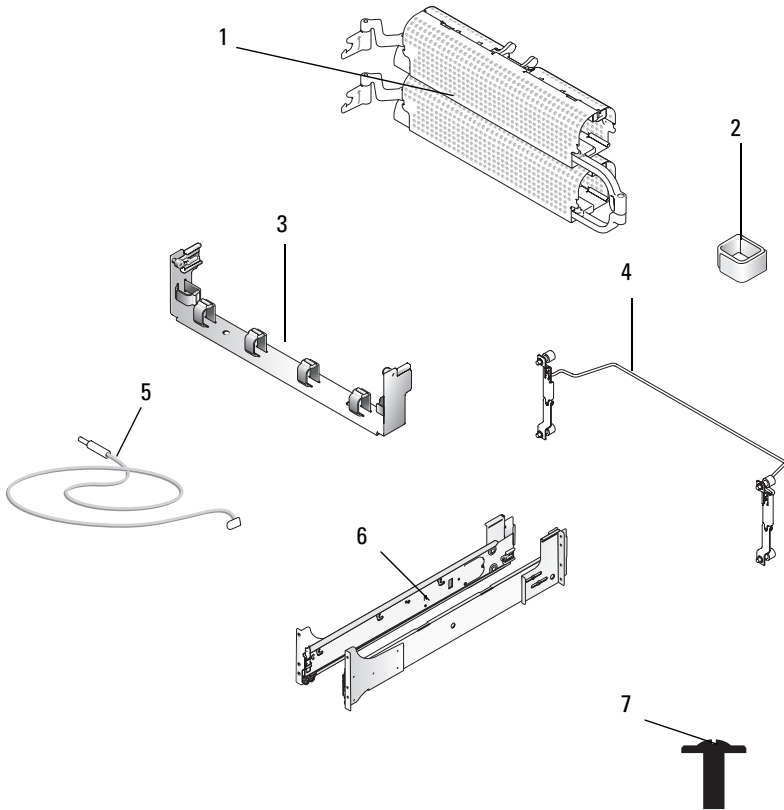
Das VersaRails-Rack-Kit enthält folgende Teile (siehe Abbildung 1-2):

- Ein Paar VersaRails-Laufschienen
- Ein Kabelführungsarm
- Ein Kabelführungsarmhalter
- Eine Kabelablage
- Ein Statusanzeigekabel (falls zutreffend)
- Acht 10-32 x 0,5-Zoll Kreuzschlitzbundschauben
- Ein Klettverschluss-Streifen



**ANMERKUNG:** Die in den Abbildungen und Anweisungen genannten nichtmetrischen Schrauben werden nach ihrer Größe und der Anzahl der Windungen pro Zoll bezeichnet. So wird z. B. eine Kreuzschlitzschraube Nr. 10 mit 32 Windungen pro Zoll als 10-32-Schraube bezeichnet.

**Abbildung 1-2. Inhalt des VersaRails-Rack-Kits**



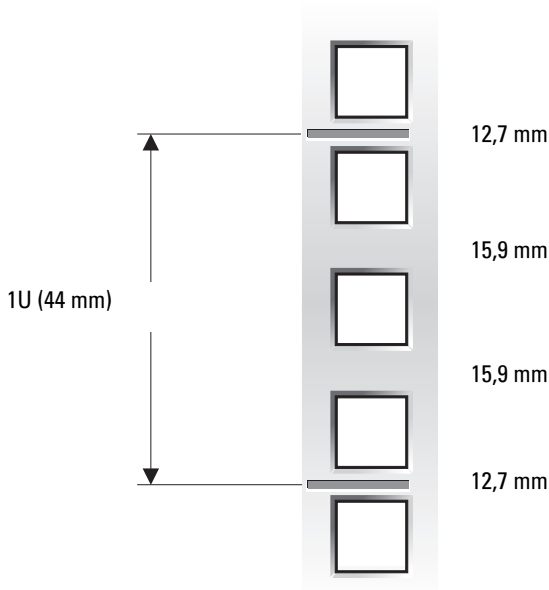
- |   |   |   |                         |
|---|---|---|-------------------------|
| 1 | Kabelführungsarm                                  | 2 | Klettstreifen           |
| 3 | Kabelablage                                       | 4 | Kabelführungsarmhalter  |
| 5 | Statusanzeigekabel<br>(falls zutreffend)          | 6 | VersaRails-Laufschienen |
| 7 | Zehn 32 x 0,5-Zoll Kreuzschlitz-<br>Bundschrauben |   |                         |

# Markieren des Racks

Jedes im Rack installierte System benötigt 4 U (7 Zoll) vertikalen Abstand (siehe Abbildung 1-3).

**ANMERKUNG:** Möglicherweise ist das Rack bereits markiert; in diesem Fall ist kein weiteres Markieren erforderlich.

**Abbildung 1-3. Eine Rack-Einheit**



**! VORSICHT:** Wenn Sie mehr als ein System installieren, montieren Sie die Laufschienen so, dass sich das erste System in der untersten möglichen Position im Rack befindet.

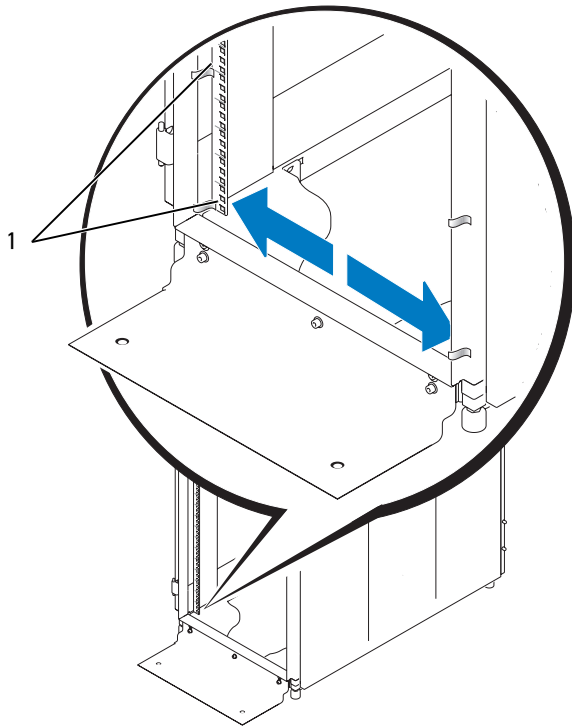
Gehen Sie zum Markieren des Racks wie folgt vor:

- 1** Bringen Sie auf den vorderen vertikalen Schienen des Racks eine Markierung an der Stelle an, an der sich die Unterseite des Systems befinden soll, das Sie in das Rack einbauen möchten.

Die Unterkante jeder 1-U-Einheit befindet sich in der Mitte des schmalsten Metallstücks zwischen den Löchern (bei einigen Racks mit einer horizontalen Linie gekennzeichnet; siehe Abbildung 1-4).

- 2** Bringen Sie 176 mm (7 Zoll) über Ihrer ersten Markierung eine weitere Markierung an (oder zählen Sie in einem Rack nach EIA-310-Standard zwölf Löcher nach oben). Markieren Sie die vorderen vertikalen Schienen mit einem Filzstift oder einem Stück Kreppband (falls Sie die Löcher gezählt haben, bringen Sie direkt über dem oberen Loch eine Markierung an). Die Markierung bzw. das Kreppband zeigt die spätere Position der Oberkante des Systems an den vertikalen Schienen an (siehe Abbildung 1-4).

#### Abbildung 1-4. Markieren der vertikalen Schienen



- 1 Kreppband auf der vertikalen Schiene

## Einbauen der RapidRails-Laufschienen

- 1 Setzen Sie eine der RapidRails-Laufschienen so an der Vorderseite des Gestellschranks an, dass der Montagehalterungsflansch an der korrekten Stelle am Rack anliegt (siehe Abbildung 1-5).

Der obere Montagehaken am vorderen Montagehalterungsflansch des Schienensatzes muss in das obere Loch zwischen den Markierungen auf den vertikalen Schienen eingreifen.

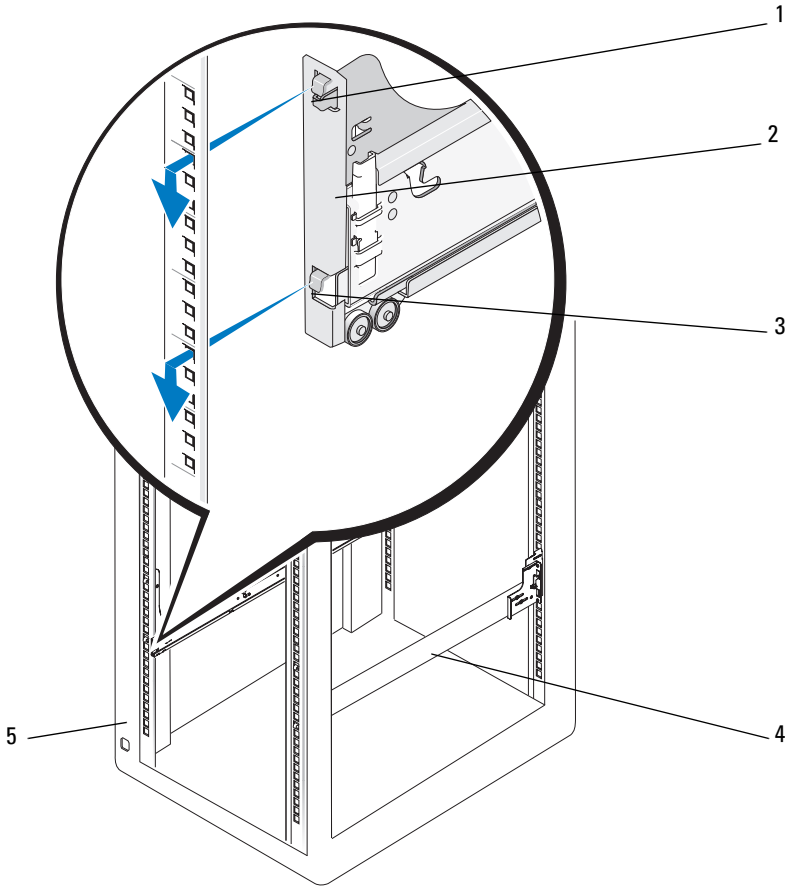
- 2 Schieben Sie die Schiebeeinheit nach vorne, bis der obere Montagehaken in das rechteckige Loch unter der oberen Markierung oder dem Kreppband an der vertikalen Schiene einrastet. Drücken Sie danach auf den Flansch der Montagehalterung, bis die Montagehaken in den rechteckigen Löchern einrasten, der Druckknopf herauspringt und ein Klicken zu hören ist (siehe Abbildung 1-5).
- 3 Ziehen Sie an der Rückseite des Gestellschranks den Flansch der Montagehalterung nach hinten, bis die Montagehaken in die entsprechenden Löcher eingreifen. Drücken Sie dann den Flansch nach unten, bis die Montagehaken in den Rechtecklöchern sitzen und der Verriegelungsknopf einrastet.
- 4 Wiederholen Sie Schritt 1 bis 3 für die Schiebeeinheit auf der anderen Seite des Racks.



**ANMERKUNG:** Achten Sie darauf, dass die Schienen auf jeder Rack-Seite in der gleichen Höhe an den vertikalen Schienen befestigt werden.





**Abbildung 1-5. Einbauen der RapidRails-Laufschienen**

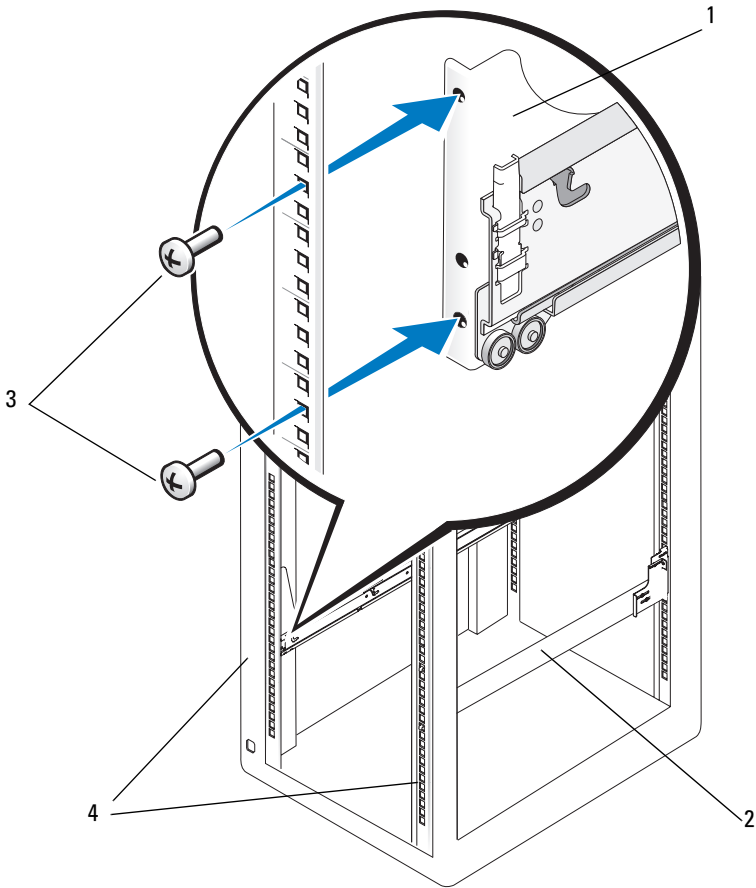


- |   |                  |   |   |
|---|------------------|---|---|
| 1 | Drucktaste       | 2 | Montagehalterungsflansch der Schiebeeinheiten |
| 3 | Montagehaken (2) | 4 | Laufschienen (2)                              |
| 5 | Rack-Vorderseite |   |   |

## Einbauen der VersaRails-Laufschienen

- 1** Setzen Sie eine VersaRails-Gleitschiene so an der Vorderseite des Gestellschranks an, dass der zugehörige Montagehalterungsflansch zwischen die Markierungen / Kreppbänder (oder an die Markierung mit der richtigen Zahl) am Rack passt (siehe Abbildung 1-6).  
Die Löcher an der Vorderseite der Montagehalterung sollten mit den Löchern zwischen den Markierungen an der vorderen vertikalen Schiene übereinstimmen.
- 2** Setzen Sie je eine 10-32 x 0,5 Zoll Kreuzschlitz-Bundschraube im oberen und unteren Loch des Montageflanschs ein (siehe Abbildung 1-6).
- 3** Ziehen Sie den Montagehalterungsflansch auf der Rack-Rückseite nach hinten, bis seine Montagelöcher mit den rechteckigen Löchern auf der hinteren vertikalen Schiene übereinstimmen.
- 4** Befestigen Sie die Schiebeeinheit mit je einer 10-32 x 0,5 Zoll Kreuzschlitz-Bundschraube im zweiten und dritten Loch (mittlere Löcher) des hinteren Montageflanschs an der hinteren vertikalen Schiene.  
 **ANMERKUNG:** Das obere und untere Flanschloch werden später zum Befestigen der Kabelführungsarmklammer verwendet.
- 5** Wiederholen Sie Schritt 1 bis 4 für die Schiebeeinheit auf der anderen Seite des Racks.  
 **ANMERKUNG:** Achten Sie darauf, dass die Schienen auf jeder Rack-Seite in der gleichen Höhe an den vertikalen Schienen befestigt werden.

**Abbildung 1-6. Einbauen der VersaRails-Gleitschienen**




- |   |   |   |                  |
|---|---|---|------------------|
| 1 | Montagehalterungsflansch der Schiebeeinheiten | 2 | Laufschiene (2)  |
| 3 | Kreuzschlitzbundschraben (2)                  | 4 | Rack-Vorderseite |

# Installation des Systems im Rack

 **VORSICHT: Wenn Sie mehr als ein System installieren, installieren Sie das erste System in der untersten möglichen Position im Rack.**

 **VORSICHT: Ziehen Sie niemals mehr als eine Komponente gleichzeitig aus dem Rack.**

- 1 Ziehen Sie die beiden inneren Laufschiene aus dem Rack, bis sie in der vollständig ausgezogenen Position einrasten.

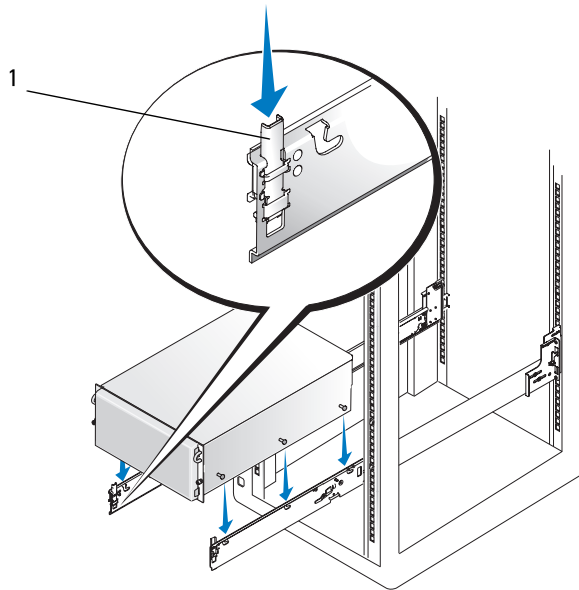
 **VORSICHT: Aufgrund der Größe und des Gewichts darf das System niemals nur von einer einzelnen Person in den Laufschiene installiert werden.**

- 2 Heben Sie das System in Position.

Mindestens zwei Personen sollten das System dabei mit je einer Hand unter dem vorderen und hinteren Rand anheben.

- 3 Kippen Sie die Vorderseite des Systems nach oben und bringen Sie die hinteren Ansatzschrauben auf den Seiten des Systems mit den hinteren Schlitzern der Laufschiene in Übereinstimmung (siehe Abbildung 1-7).

**Abbildung 1-7. Installation des Systems im Rack**



- 1 Systemverriegelungsmechanismus
- 4 Führen Sie zunächst die hinteren Ansatzschrauben in den Aufnahmeschlitz direkt hinter der Sperrklinke der Gleitschiene ein, gefolgt von den mittleren und vorderen Ansatzschrauben.
- 5 Schieben Sie das System auf den Laufschiene nach innen, bis die Verriegelung einrastet und das System an der Schiene sichert (siehe Abbildung 1-7).
- 6 Ziehen Sie die Sperrklinken der Gleitschiene nach oben, und schieben Sie das System in das Rack.
- 7 Ziehen Sie die Rändelschrauben auf der Frontplatte des Racks fest.

# Einbau der Kabelablage und des Kabelarms

Dieser Vorgang besteht aus zwei Abschnitten. Befestigen Sie zunächst die Kabelablage an der Rückseite des Systemgehäuses. Installieren Sie danach den Kabelführungsarm an der Kabelablage.

## Kabelablage am System befestigen



**ANMERKUNG:** Unter Umständen muss der mit Ihrem Schienensatz ausgelieferte Kabelablagentyp auf der Rückseite des Systemgehäuses befestigt werden. In Abbildung 1-8 sind beide Kabelführungstypen abgebildet.

### Montagetyp I

- 1 Richten Sie die geformten Metallzungen auf der Unterseite der Kabelablage an den vorgesehenen Schlitzen auf der Rückseite des Systemgehäuses aus.
- 2 Setzen Sie die Metallzungen in die Schlitze ein, und drehen Sie die Kabelführung in die gesicherte Position nach unten (siehe Abbildung 1-8).
- 3 Befestigen Sie die Kabelführung mit den zwei Rändelschrauben am System.

## Montagetyp II

- 1 Richten Sie die geformten Metallzungen auf der Seite der Kabelablage mit den gebogenen Metallkerben an den inneren Wänden auf der Systemrückseite aus.
- 2 Schieben Sie die Zungen über die Metallkerben, und drücken Sie die Kabelführung in die gesicherte Position nach unten (siehe Abbildung 1-8).
- 3 Befestigen Sie die Kabelführung mit den zwei Rändelschrauben am System.



**VORSICHT: Die Kabelablage trägt nicht das Gewicht des Systems. Heben Sie das System nicht an der Kabelablage an. Heben Sie das System nur an den Gehäusekanten an.**

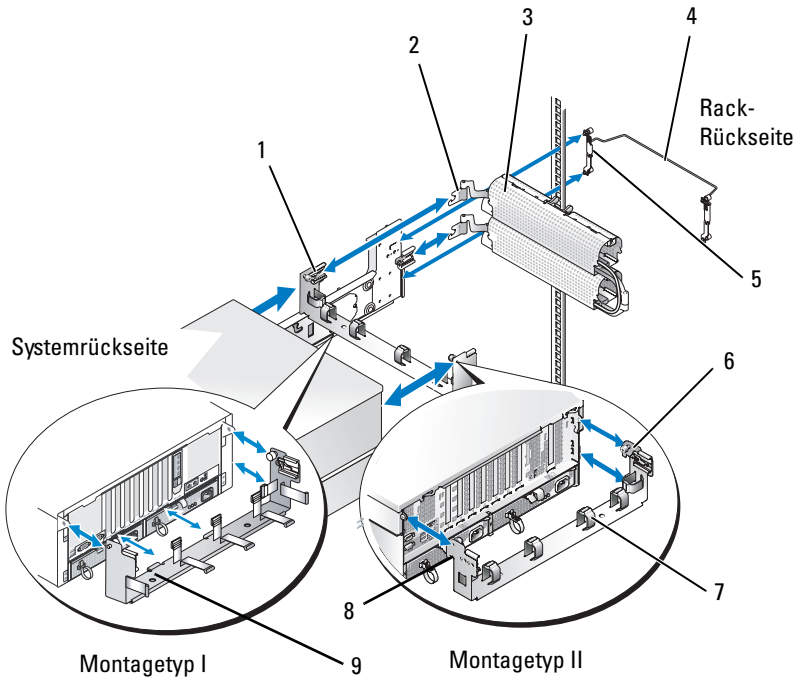
## Kabelführungsarm befestigen



**ANMERKUNG:** Der Kabelführungsarm lässt sich auf beiden Seiten der Kabelablage anbringen.

- 1 Stellen Sie sich auf die Rückseite des Gestellschranks, und drücken Sie die Lasche am vorderen Ende des Kabelführungsarms bis zum Einrasten in den Halteriegel der Kabelablage (siehe Abbildung 1-8).
- 2 Drücken Sie die Lasche am freien Ende des Kabelführungsarms bis zum Einrasten in den Halteriegel am anderen Ende der Schiebereinheit.

**Abbildung 1-8. Installation des Kabelführungsarms**



- |                                  |                       |
|----------------------------------|-----------------------|
| 1 Halteriegel an der Kabelablage | 2 Zungen              |
| 3 Kabelführungsarm               | 4 Kabelführungshalter |
| 5 Rändelschrauben (4)            | 6 Rändelschrauben (2) |
| 7 Klettstreifen                  | 8 Metallzungen        |
| 9 Montagehalterungen (2)         |                       |

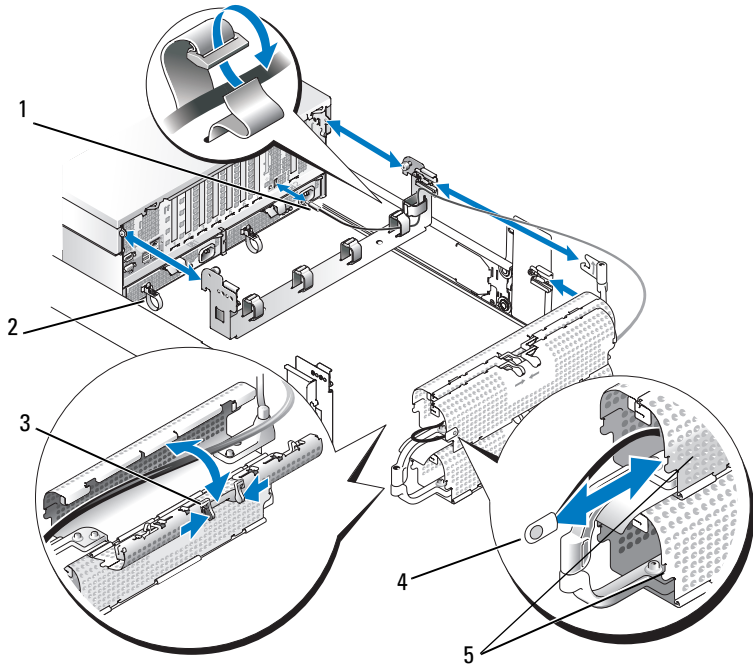
**ANMERKUNG:** Abbildung 1-8 zeigt die Befestigung des Racks am System für zwei unterschiedliche Kabelschienentypen.



## Verlegen der Kabel

- 1** Verbinden Sie gegebenenfalls den Stecker des Statusanzeigekabels mit dem zugehörigen Anschluss auf der Systemrückseite (siehe Abbildung 1-9).
- 2** Öffnen Sie beide Kabeltunnel am Kabelführungsarm, indem Sie die Verriegelungen auf der Oberseite der Kabeltunnel zusammendrücken. Die Kabeltunnel öffnen sich, und die Kabel können darin verlegt werden.
- 3** Verlegen Sie das Statusanzeigekabel entlang des Kabelführungsarms durch den oberen Kabeltunnel und danach bei Bedarf durch den unteren Kabeltunnel. Befestigen Sie das LED-Ende des Kabels in einem der Anzeigesteckplätze am Kabelführungsarm (siehe Abbildung 1-9).

**Abbildung 1-9. Installation des Statusanzeigekabels**



- |  |   |
|--|---|
| <ul style="list-style-type: none"> <li>1 Stecker des Systemstatusanzeigekabels</li> <li>3 Sperrklinke</li> <li>5 Steckplatz für Systemstatusanzeige</li> </ul> | <ul style="list-style-type: none"> <li>2 Zugentlastungsschlaufen (eine pro Netzteil, falls verfügbar)</li> <li>4 Systemstatusanzeige</li> </ul> |
|--|---|

- 4 Verbinden Sie die Daten- und Netzstromkabel mit den entsprechenden Anschlüssen auf der Rückseite des Systems.

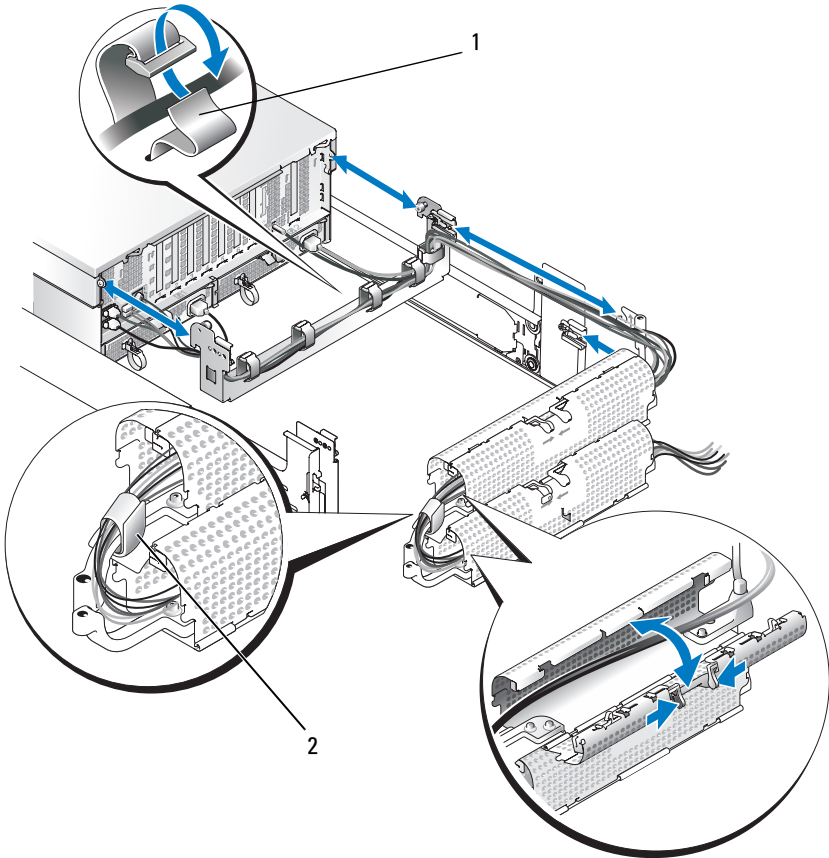
Näheres zu Kabelsteckern finden Sie im *Installations- und Fehlerbehebungshandbuch* und im *Benutzerhandbuch*.



**ANMERKUNG:** Verwenden Sie die Zugentlastungsschlaufen (falls vorhanden) auf der Rückseite der Netzteile, um die Stromversorgungskabel zu entlasten.

- 5 Sichern Sie die Kabel mit den Klettverschlüssen an der horizontalen Fläche der Kabelablage, verlegen Sie dann die Kabel entlang der Biegung, wo der Kabelführungsarm an der Kabelablage befestigt ist, und sichern Sie die Kabel mit dem vertikalen Klettverschluss (siehe Abbildung 1-10).
- 6 Verlegen Sie die Kabel entlang des Kabelführungsarms durch beide Kabeltunnel, beginnend mit dem oberen und danach durch den unteren Kabeltunnel (siehe Abbildung 1-10).
- 7 Passen Sie das Kabelspiel an der Scharnierstelle nach Bedarf an.
- 8 Befestigen Sie das Kabelbündel mit dem im Lieferumfang des Systems enthaltenen Klettstreifen an der Biegung des Kabeltunnels.
- 9 Schließen Sie die Kabeltunnel.
- 10 Lösen Sie die Rändelschrauben, mit denen die Systemvorderseite an der vorderen vertikalen Schiene gesichert wird.

**Abbildung 1-10. Kabel am Kabelführungsarm verlegen**



1 Klettstreifen für die Kabelablage (6)

2 CMA-Klettstreifen

- 11 Schieben Sie das System in das Rack hinein und ziehen Sie es wieder heraus, um zu überprüfen, ob die Kabel korrekt verlegt sind und bei Bewegung des Kabelarms nicht eingeklemmt, gedehnt oder gequetscht werden. Passen Sie die Lage der Kabel in den Kabeltunneln nach Bedarf an.



**ANMERKUNG:** Wenn Sie das System vollständig herausziehen, werden die Laufschiene in der ausgezogenen Position verriegelt. Um die Sperre zu entriegeln, drücken Sie die Sperrklinke auf der Seite der Gleitschiene, und schieben Sie dann das System in das Rack.

- 12 Sichern Sie die Kabelführungsarmklammer mit den Rändelschrauben an der Rückseite des Racks.



**ANMERKUNG:** Verlegen Sie die Kabel unter der Klammerstrebe, so dass die Kabel beim Öffnen oder Schließen der Klammer nicht stören.



# Dell™ ラック取り 付けガイド



## メモ、注意、警告



**メモ**：コンピュータを使いやすくするための重要な情報を説明しています。



**注意**：ハードウェアの損傷やデータの損失の可能性を示し、その危険を回避するための方法を説明しています。



**警告**：物的損害、けが、または死亡の原因となる可能性があることを示しています。

---

本書の内容は予告なく変更されることがあります。

© 2007 すべての著作権は **Dell Inc.** にあります。

Dell Inc. の書面による許可のない複製は、いかなる形態においても厳重に禁じられています。

本書に使用されている商標：Dell、DELL ロゴ、RapidRails および VersaRails は Dell Inc. の商標です。Intel、Pentium および Celeron は Intel Corporation の登録商標です。Microsoft および Windows は米国その他の国における Microsoft Corporation の登録商標または商標です。

本書では、必要に応じて上記以外の商標や会社名が使用されている場合がありますが、それらの商標や会社名は、一切 Dell Inc. に帰属するものではありません。



# 目次

<b>安全にお使いいただくための注意</b> . . . . .	<b>89</b>
安全について：システムの ラックへの取り付け . . . . .	89
<b>取り付け手順</b> . . . . .	<b>90</b>
作業を開始する前に . . . . .	91
取り付け手順 . . . . .	92
推奨するツールおよび備品 . . . . .	93
RapidRails ラックキットの内容 . . . . .	93
VersaRails ラックキットの内容 . . . . .	95
<b>ラックへの印付け</b> . . . . .	<b>97</b>
<b>RapidRails スライドアセンブリの取り付け</b> . . . . .	<b>99</b>
<b>VersaRails スライドアセンブリの取り付け</b> . . . . .	<b>101</b>
<b>ラックへのシステムの取り付け</b> . . . . .	<b>103</b>
<b>ケーブルトレイとケーブルマネジ メントアームの取り付け</b> . . . . .	<b>105</b>
システムへのケーブルトレイの取り付け . . . . .	105
ケーブルマネジメントアームの固定 . . . . .	106
<b>ケーブルの配線</b> . . . . .	<b>108</b>




## 安全にお使いいただくための注意


ご自身の身体の安全を守り、システムおよび作業環境を保護するために、以下の安全に関するガイドラインに従ってください。安全に関する詳細な情報については、『製品情報ガイド』を参照してください。


### 安全について：システムのラックへの取り付け

ラックの安定性や安全性に関して、以下の点にご注意ください。

システムはラックの一部とみなします。したがって、「コンポーネント」には、さまざまな周辺機器やサポートハードウェアと同様に、システムも含まれます。

 **警告：**単体ラックでは前面と側面のスタビライザ、連結ラックでは前面のスタビライザを取り付けてからラックにシステムを取り付けてください。スタビライザを正しく取り付けずにシステムをラックに取り付けると、ラックが転倒し、けがをするおそれがあります。必ずスタビライザを取り付けてから、ラックにコンポーネントを取り付けてください。

 **警告：**ラックにシステム/コンポーネントを取り付けた後は、一度に2台以上のコンポーネントをスライドアセンブリのラックから引き出さないでください。引き出された複数のコンポーネントの重みでラックが転倒し、けがをするおそれがあります。


 **メモ：**お使いのシステムは、独立したユニットとして、また、ラックキャビネットとラックキットがそのシステム用に設計されたものである場合は、カスタマーラックキットを使ってラックキャビネットに設置して使用するためのコンポーネントとして、安全性が保証されています。それ以外のラックキャビネットにシステムおよびラックキットを取り付ける場合は、安全性が保証されません。ほかのメーカーのキャビネットでシステムやラックキットを組み合わせて使用する場合は、お客様が責任を持って安全性認定機関の適合性評価を受けてください。デルではこのような組み合わせは保証しておらず、いかなる責任も負いません。

- システムラックキットは、トレーニングを受けたサービス技術者が、規格に適合するラックに取り付けるように設計されています。キットをこれ以外のラックに取り付ける場合は、そのラックが仕様に適合していることを確認してください。
- ラックで作業をする前に、スタビライザがラックに固定されて床面に伸び、ラックの全重量が床面にかかっていることを確認してください。ラックで作業をする前に、ラックが1つの場合は前面と側面のスタビライザ、複数のラックを連結する場合は前面のスタビライザを取り付けます。


- ラックには必ず下から上へと、最も重いものから順に設置してください。
- コンポーネントをラックから引き出す前に、ラックが水平で安定していることを確認してください。
- レールリリースラッチを押してコンポーネントをラックから出し入れするときは、スライドレールに指をはさまれないように注意してください。
- コンポーネントをラックに挿入したら、レールをロック位置まで静かに伸ばし、コンポーネントをスライドさせてラックに設置します。
- ラックに電力を供給する AC 分岐回路に過重電流を流さないでください。ラックの総負荷が分岐回路定格の 80 パーセントを超えないようにしてください。
- ラック内のコンポーネントが十分に通気されることを確認してください。
- ラック内の他のシステムやコンポーネントを取り扱う際に、取り付けられたシステムやコンポーネントの上に乗ったり、足を掛けたりしないでください。

## 取り付け手順

本書は、トレーニングを受けたサービス技術者が、オープンフレームリレーラックやラックキャビネットに 1 台または複数のシステムを取り付ける作業を行う場合の手順書です。RapidRails™ ラックキットは、角型の穴を使用するメーカーのラックキャビネットに、工具を使わずに取り付けることができます。VersaRails™ ラックキットは、角型または丸型の穴を使用する、業界規格に適合しているほとんどのラックキャビネットに取り付けることができます。RapidRails ラックキットと VersaRails ラックキットの取り付け手順はほとんど同じです。ラックキャビネットに取り付けるシステム 1 台ごとにラックキット 1 セットが必要です。


 **警告：**別のシステム用に設計されたラックキットのコンポーネントは取り付けしないでください。お使いのシステム用のラックキットのみをお使いください。別のシステム用のラックをご使用になると、システムの損傷やけがを招くおそれがあります。


RapidRails ラックキットは、統一規格に適合しているほとんどのラックキャビネットに取り付けることができます。

 **注意：**RapidRails ラックキットは、米国規格協会（ANSI）/米国電子工業会（EIA）規格 ANSI/EIA-310-D-92、国際電気標準会議（IEC）297、ドイツ工業規格（DIN）41494 の仕様を満たすラックについてトレーニングを受けたサービス技術者が取り付けのように設計されています。ラックキットは、ラックに取り付けるシステム 1 台につき 1 セットずつ必要です。

## 作業を開始する前に


システムのラックへの取り付けを開始する前に、本書の「安全にお使いいただくための注意」と『製品情報ガイド』の安全に関する注意事項を参照して、補足情報を確認してください。

 **警告：**複数のシステムをラックに取り付ける場合は、1 台のシステムの取り付け手順を完了してから、次のシステムの取り付けに進んでください。


 **警告：**ラックキャビネットはサイズが非常に大きく重量もあるため、キャスターで簡単に移動できるようになっています。ラックキャビネットを移動するときは十分な注意が必要です。ラックキャビネットを別の場所に移動するときは、水平調節用の脚を収納してください。長い傾斜面、急勾配のある場所、スロープなど、バランスが取りにくい場所にはキャビネットを設置しないでください。水平調節用の脚を伸ばしてキャビネットを支え、キャビネットが動かないようにしてください。


## 安全に関する重要な注意

システムをラックに取り付けるときは、次の各項の安全に関する注意を遵守してください。

 **警告：**作業者は、自分自身と周囲の人々を保護するために、本書の手順に必ず従ってください。本システムは非常に重量があり大きいため、自分自身と周囲の人々のけがを防ぐために準備と計画を適切に行うことが重要です。これは、特にシステムをラックの高い位置に取り付ける場合に重要になります。

## ラックスタビライザ

 **警告：**単体ラックでは前面と側面のスタビライザ、連結ラックでは前面のスタビライザを取り付けてからラックにシステムを取り付けてください。スタビライザを正しく取り付けずにシステムをラックに取り付けると、ラックが転倒し、けがをするおそれがあります。必ずスタビライザを取り付けてから、ラックにコンポーネントを取り付けてください。

 **警告：**ラックにシステムを取り付けた後は、スライドアセンブリ上の複数のシステムを同時にラックから引き出さないでください。引き出された複数のシステムの重みでラックが転倒し、けがをするおそれがあります。

スタビライザは、スライドアセンブリが伸びきった状態でラックからシステムやその他のコンポーネントを引き出す際に、ラックの転倒を防ぎます。スタビライザの取り付けおよび固定手順については、ラックキャビネットに付属のマニュアルを参照してください。

## 取り付け手順

ラックキットを取り付けるには、次の手順を番号順に行います。

- 1 ラックへの印付け（必要な場合）
- 2 ラックへのレールアセンブリの取り付け：
  - RapidRails の取り付け
  - VersaRails の取り付け
- 3 ラックへのシステムの取り付け
- 4 ケーブルトレイとケーブルマネージメントアームの取り付け
- 5 ケーブルの配線

## 推奨するツールおよび備品

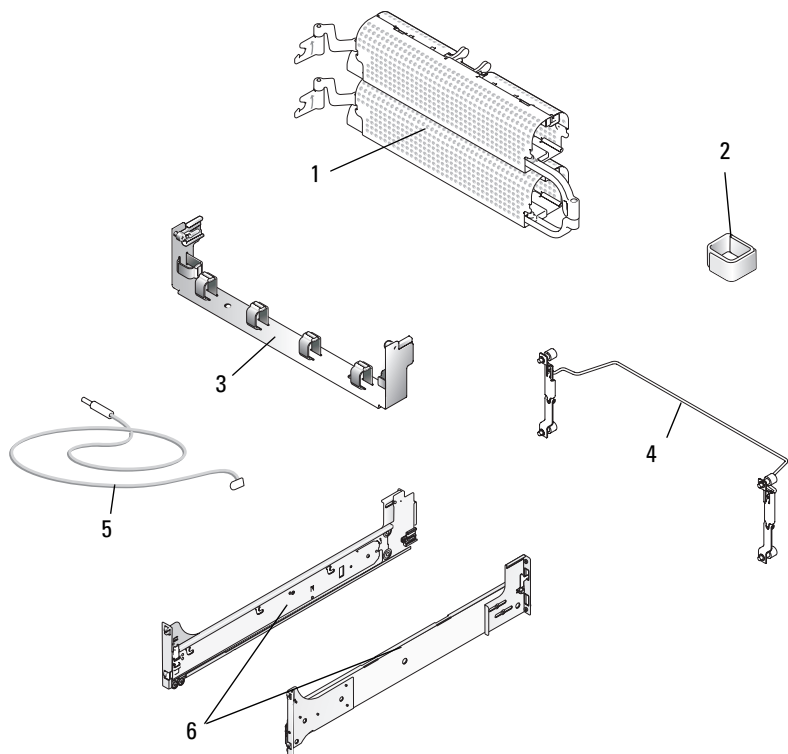
- #2 プラスドライバ
- マスキングテープまたはフェルトペン（ラック取り付け穴に印を付けるときに使用）
- 定規または巻尺

## RapidRails ラックキットの内容

RapidRails ラックキットには、以下の部品が含まれています（図 1-1 を参照）。

- RapidRails スライドアセンブリ 1 組
- ケーブルマネージメントアーム 1 本
- ケーブルマネージメントアーム固定装置 1 個
- ケーブルトレイ 1 個
- ステータスインジケータケーブル 1 本（必要な場合）
- ベルクロケーブルストラップ 1 本

図 1-1. RapidRails ラックキットの内容



- |   |                            |   |                        |
|---|----------------------------|---|------------------------|
| 1 | ケーブルマネージメントアーム             | 2 | ベルクロストラップ              |
| 3 | ケーブルトレイ                    | 4 | ケーブルマネージメントアーム<br>固定装置 |
| 5 | ステータスインジケータケーブル<br>(必要な場合) | 6 | VersaRails スライドアセンブリ   |



## VersaRails ラックキットの内容

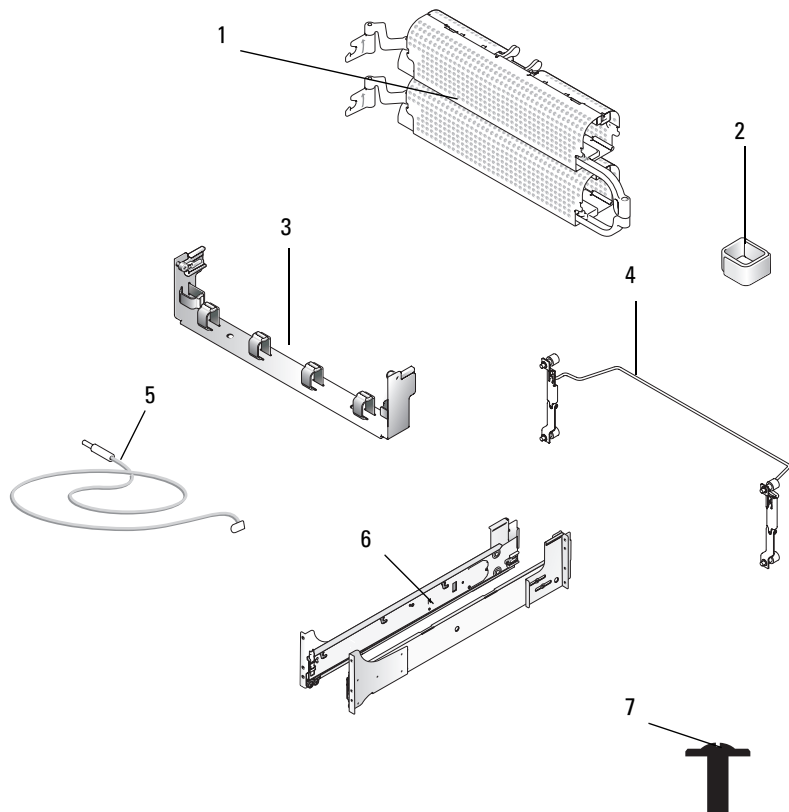
VersaRails ラックキットには、以下の部品が含まれています (図 1-2 を参照)。

- VersaRails スライドアセンブリ 1 組
- ケーブルマネージメントアーム 1 本
- ケーブルマネージメントアーム固定装置 1 個
- ケーブルトレイ 1 個
- ステータスインジケータケーブル 1 本 (必要な場合)
- 10-32 x 0.5 インチフランジヘッドプラスネジ 8 本
- ベルクロケーブルストラップ 1 本



**メモ：**図と手順の説明に示すメートル法規格以外のネジは、サイズとインチ当たりのネジ山数で表記されています。たとえば 1 インチに 32 本のネジ山がある #10 プラスネジは、10-32 ネジと表記します。

図 1-2. VersaRails ラックキットの内容



- |   |                            |   |                      |
|---|----------------------------|---|----------------------|
| 1 | ケーブルマネージメントアーム             | 2 | バルクロストラップ            |
| 3 | ケーブルトレイ                    | 4 | ケーブルマネージメントアーム固定装置   |
| 5 | ステータスインジケータケーブル (必要な場合)    | 6 | VersaRails スライドアセンブリ |
| 7 | 32 x 0.5 フランジヘッドプラスネジ 10 本 |   |                      |

## ラックへの印付け

ラックに取り付けるシステムごとに 4 U (約 18 cm) の垂直スペースが必要です (図 1-3 を参照)。


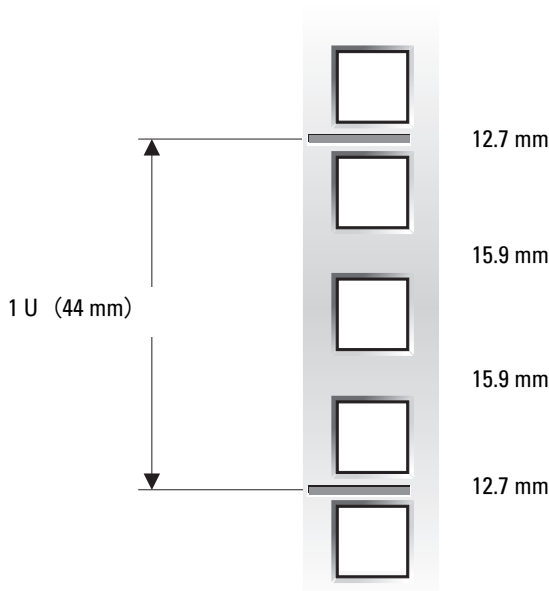

 **メモ:** ラックにすでに印が付けられている場合は、この手順は必要ありません。

図 1-3. 1 ラックユニット (1 U)



 **警告:** 複数のシステムを取り付ける場合は、ラックの最下段に 1 台目のシステムを取り付けられるように、スライドアセンブリを取り付けてください。

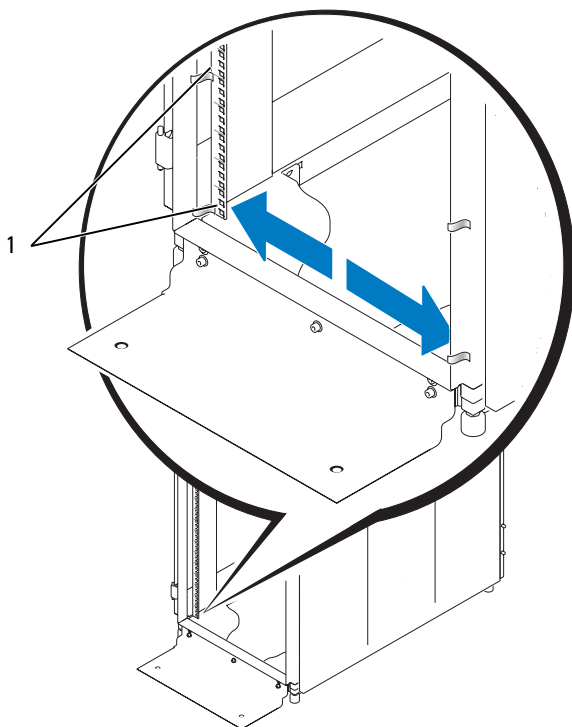
ラックに印を付けるには、次の手順を実行します。

- 1 ラックの前面垂直レール上で、ラックキャビネットに取り付けるシステムの底部の位置を決め、印を付けます。

各 1 U スペースの底部は、レールの穴の間隔が一番狭い部分の真ん中になります (ラックキャビネットによっては水平なラインが刻まれている場合があります、図 1-4 を参照)。

- 最初に印を付けた場所から約 18 cm 上に（または EIA-310 規格に適合しているラックの場合は 12 個上の穴に）印を付け、ラックの前面垂直レールにフェルトペンやマスキングテープで印を付けます（穴の数で測った場合は一番上の穴の真上に印を付けます）。このマークまたはテープが、垂直レール上でシステムの上端が来る位置になります（図 1-4 を参照）。

図 1-4. 垂直レールの印付け



- 1 垂直レールに貼ったテープ

## RapidRails スライドアセンブリの取り付け

- 1 ラックキャビネットの前面で、RapidRails スライドアセンブリの取り付けブラケットのフランジが、ラックの適切な場所に収まるように、1 つ目のスライドアセンブリの位置を合わせます (図 1-5 を参照)。

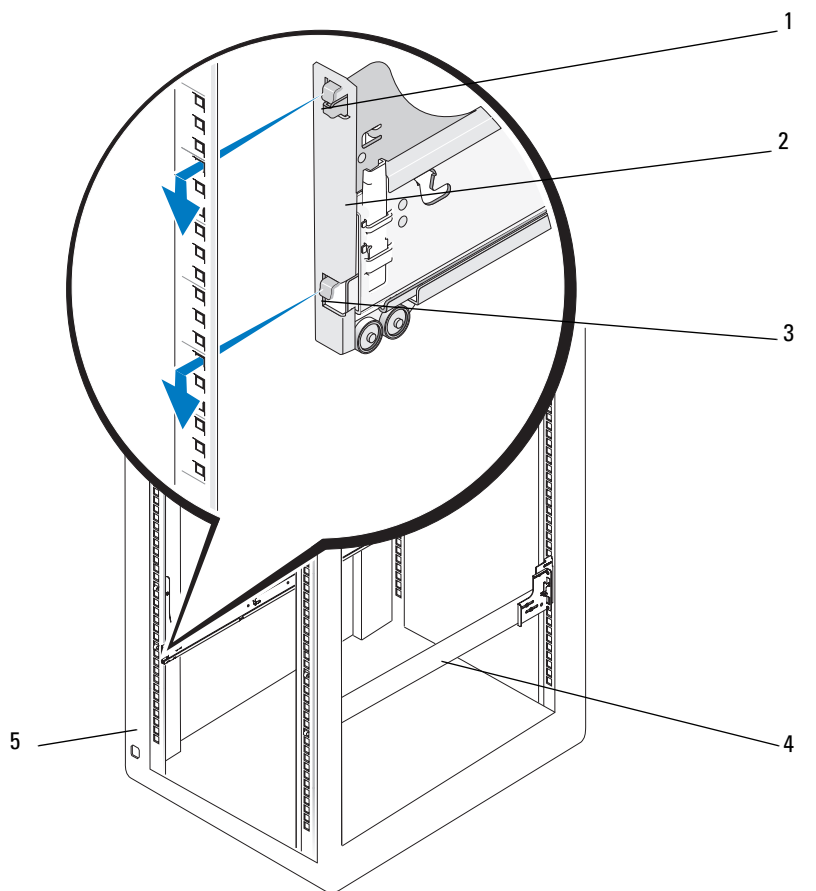
スライドアセンブリの前面取り付けブラケットフランジの上部取り付けフックを、垂直レールに付けた印の間のスペースにある一番上の穴に差し込みます。

- 2 スライドアセンブリを前面に向かって押して、垂直レールに付けた上部の印またはテープのすぐ下の角型の穴に上部取り付けフックを差し込みます。次に 2 つの取り付けフックが両方とも角型の穴に入り、押しボタンがカチッという音がして飛び出すまで、取り付けブラケットのフランジを下に押し下ろします (図 1-5 を参照)。
- 3 キャビネットの背面で、取り付けブラケットのフランジを後ろに引いて、取り付けフックを対応する穴に差し込み、フランジを下に押し下ろして取り付けフックを角型の穴に固定します。完全に固定されると押しボタンがカチッと飛び出します。
- 4 ラックの反対側にあるもう 1 つのスライドアセンブリについて、手順 1 ~ 3 を繰り返します。



**メモ:** 左右の垂直レールで、取り付け用レールが同じ高さに取り付けられていることを確認します。

図 1-5. RapidRails スライドアセンブリの取り付け




- |   |             |   |                           |
|---|-------------|---|---------------------------|
| 1 | 押しボタン       | 2 | スライドアセンブリ取り付け<br>ラケットフランジ |
| 3 | 取り付けフック (2) | 4 | スライドアセンブリ (2)             |
| 5 | ラック正面       |   |                           |

## VersaRails スライドアセンブリの取り付け

- 1 ラックキャビネットの前面で、VersaRails スライドアセンブリの取り付けブラケットのフランジが、ラックに付けた上下の印またはテープ（または数えた穴の位置）の間に収まるように、スライドアセンブリの位置を合わせます（図 1-6 を参照）。

取り付けブラケットの前面の穴を、前面垂直レールに付けた印の間の穴に合わせます。

- 2 10-32 x 0.5 インチフランジヘッドプラスネジを、取り付け用フランジの一番上と下の穴に差し込みます（図 1-6 を参照）。
- 3 キャビネットの背面から、取り付けブラケットフランジを後ろに引いて、取り付け穴を背面垂直レールのそれぞれ対応する穴に合わせます。
- 4 10-32 x 0.5 インチフランジヘッドプラスネジを背面側取り付け用フランジの 2 番目と 3 番目の穴（中央の穴）に差し込んで、スライドアセンブリを背面垂直レールに固定します。

 **メモ：**フランジの一番上と一番下の穴は、ケーブルマネージメントアーム固定装置を取り付けるために後で使用します。

- 5 ラックの反対側にあるもう 1 つのスライドアセンブリについて、手順 1 ~ 4 を繰り返します。


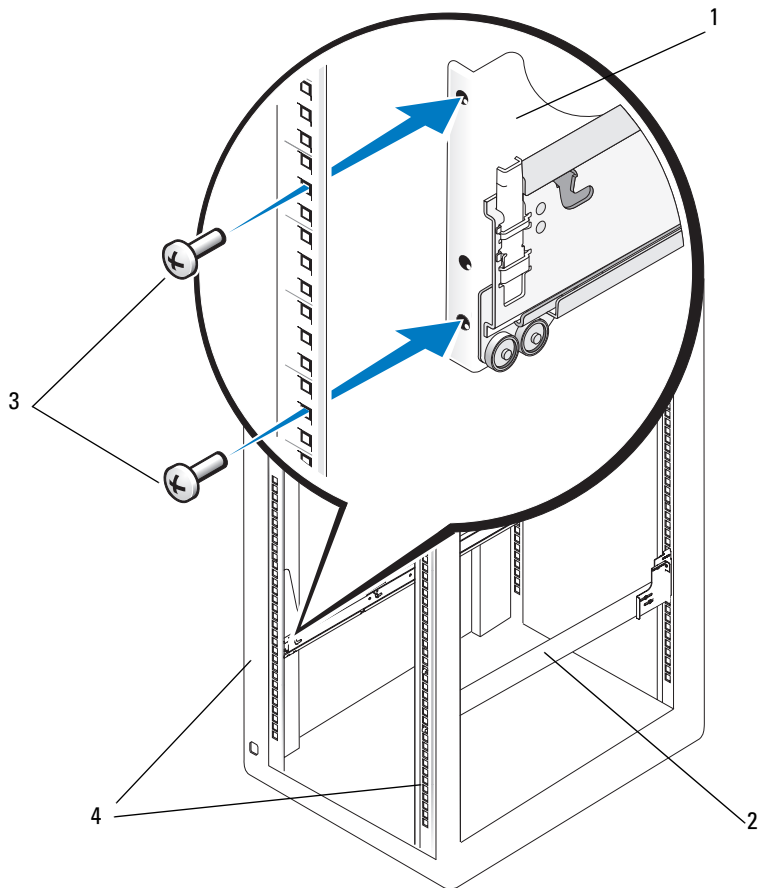
 **メモ：**左右の垂直レールで、取り付け用レールが同じ高さに取り付けられていることを確認します。


図 1-6. VersaRails レールアセンブリの取り付け




- |   |                        |   |               |
|---|------------------------|---|---------------|
| 1 | スライドアセンブリ取り付けブラケットフランジ | 2 | スライドアセンブリ (2) |
| 3 | フランジヘッドプラスネジ (2)       | 4 | ラック正面         |




## ラックへのシステムの取り付け

 **警告：**複数のシステムを取り付ける場合は、1台目のシステムをラックの使用可能な最下段に取り付けてください。

 **警告：**一度に複数のコンポーネントをラックから引き出さないでください。

- 1 左右の内部スライドアセンブリをラックから引き出し、一番外側の位置でロックします。

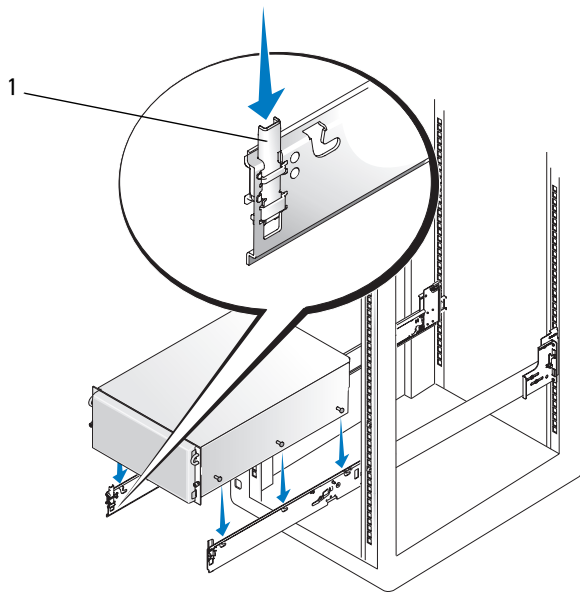
 **警告：**システムの大きさと重さを考慮して、システムのスライドアセンブリへの取り付けは決して1人で行わないでください。

- 2 システムを所定の位置に置きます。

少なくとも2人で、各自が一方の手でシステム前部の底を、もう一方の手でシステム後部の底を持ちます。

- 3 システム側面の背面側肩付きネジを、スライドアセンブリの背面側スロットに合わせながら、システム前部を持ち上げます (図 1-7 を参照)。

図 1-7. ラックへのシステムの取り付け



- 1 システムのロック機構
- 4 背面の肩付きネジをスライドリリースラッチのすぐ後ろにあるスロットにはめ込み、次に中央と前面の肩付きネジをはめ込みます。
- 5 システムをスライドアセンブリの内側に押し込みます。スライドがシステムに完全に固定されると、システムのロック機構がカチッとはまります（図 1-7 を参照）。
- 6 スライドリリースラッチのところでシステムを持ち上げて、ラックに押し込みます。
- 7 ラック前面パネルの蝶ネジを締めます。

# ケーブルトレイとケーブルマネージメントアームの取り付け

この手順は 2 段階に分けて実行します。はじめにケーブルトレイをシステムシャーシの背面に取り付けます。次にケーブルマネージメントアームをケーブルトレイに取り付けます。

## システムへのケーブルトレイの取り付け




**メモ：** レールキットに付属しているケーブルトレイによっては、システムシャーシの背面にトレイを取り付ける手順に従う必要があります。どちらのタイプのケーブルトレイも 図 1-8 に示されています。

### 取り付けタイプ 1

- 1 ケーブルトレイの底部にある成型金属製タブをシステムシャーシ背面の対応するスロットに合わせます。
- 2 タブをスロットに挿入し、固定される位置までトレイを下方方向に回転させます (図 1-8 を参照)。
- 3 2 本の拘束蝶ネジでトレイをシステムに固定します。

## 取り付けタイプ II

- 1 ケーブルトレイの両側にある成型金属製タブをシステムシャーシ背面の内壁にある金属製の曲がった切り込みに合わせます。
- 2 タブをスライドさせ、固定される位置までトレイを押し下げます (図 1-8 を参照)。
- 3 2本の拘束蝶ネジでトレイをシステムに固定します。

 **警告：**ケーブルトレイは、システムの重量を支えきれません。システムを持ち上げるときはケーブルトレイを持たないでください。システムを持ち上げる際は、必ずシャーシの両端を持ってください。

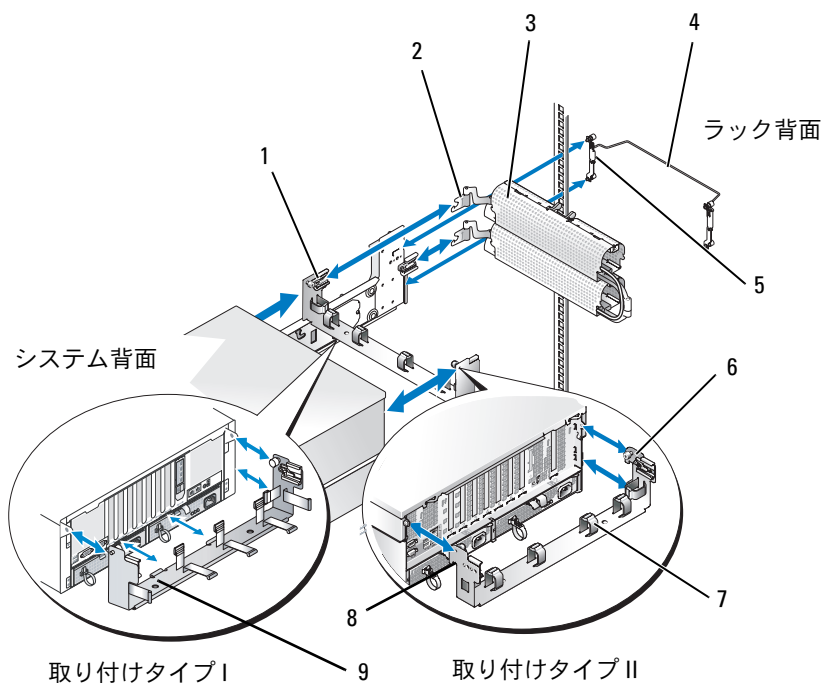
## ケーブルマネージメントアームの固定



**メモ：**ケーブルマネージメントアームは、ケーブルトレイの左右どちら側にも取り付けすることができます。

- 1 ラックキャビネットの背面に回り、ケーブルマネージメントアームの前端部のタブを、カチッという音がして完全に固定されるまで、ケーブルトレイのラッチに差し込みます (図 1-8 を参照)。
- 2 ケーブルマネージメントアームのまだ取り付けしていない一端のタブを、カチッという音がして完全に固定されるまで、スライドアセンブリの端のラッチに差し込みます。

図 1-8. ケーブルマネジメントアームの取り付け



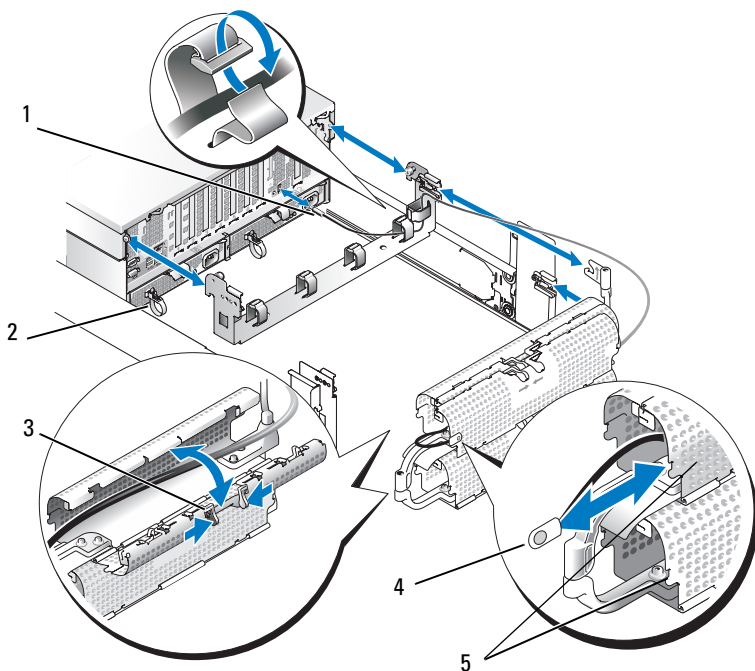
- |   |               |   |                |
|---|---------------|---|----------------|
| 1 | ケーブルトレイのラッチ   | 2 | タブ             |
| 3 | ケーブルマネジメントアーム | 4 | ケーブルマネジメント固定装置 |
| 5 | 拘束蝶ネジ (4)     | 6 | 拘束蝶ネジ (2)      |
| 7 | ベルクロストラップ     | 8 | 成型金属製タブ        |
| 9 | 取り付けタブ (2)    |   |                |

**メモ**：図 1-8 には、ラックをシステムに固定する方法を両方のラックレールタイプで示してあります。

## ケーブルの配線

- 1 必要に応じて、システムステータスインジケータケーブルのプラグをシステム背面パネルのコネクタに接続します（図 1-9 を参照）。
- 2 各ケーブルバスケット上部のリリースラッチを挟むように押して、ケーブルマネージメントアームのケーブルバスケットを両方とも開きます。  
ケーブルバスケットが開いて、アーム内にケーブルを配線できるようになります。
- 3 システムステータスインジケータケーブルを、ケーブルマネージメントアームの上のバスケットに、必要なら下のバスケットにも通します。LED が付いたケーブルの端をケーブルマネージメントアームのインジケータスロットの 1 つに挿入します（図 1-9 を参照）。


図 1-9. システムステータスインジケータケーブルの取り付け



- |   |                         |   |                                      |
|---|-------------------------|---|--------------------------------------|
| 1 | システムステータスインジケータケーブルのプラグ | 2 | ストレインリリーフループ<br>(利用可能な場合、各電源ユニットに1つ) |
| 3 | リリースラッチ                 | 4 | システムステータスインジケータ                      |
| 5 | システムステータスインジケータのスロット    |   |                                      |

- 4 I/O ケーブルコネクタと電源ケーブルコネクタを、システム背面パネルの各コネクタに接続します。

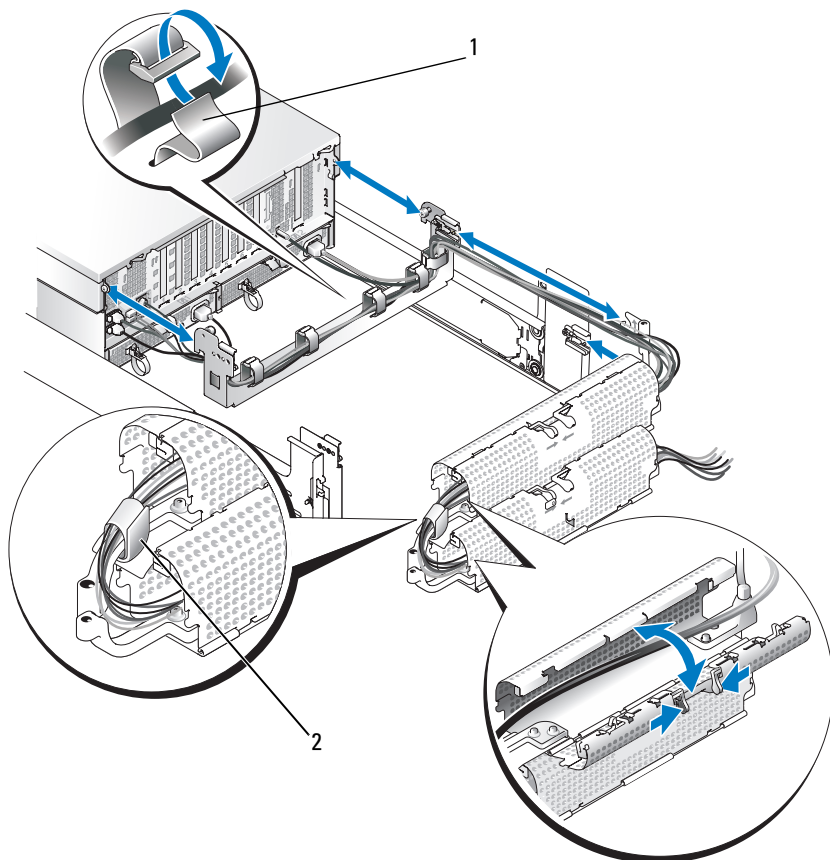
ケーブル接続の詳細については、システムの『インストール & トラブルシューティング』と『ユーザズガイド』を参照してください。

 **メモ**：ストレインリリーフが付属している場合は電源の背面に取り付けて、電源ケーブルでストレインリリーフを使用できるようにします。

- 5 ベルクロストラップを使用してケーブルをケーブルトレイの水平な面に固定し、次にケーブルマネージメントアームをケーブルトレイに取り付ける位置まで、バンドに沿ってケーブルを配線し、縦方向のベルクロストラップでケーブルを固定します（図 1-10 を参照）。
- 6 ケーブルをケーブルマネージメントアームに沿って、両方のケーブルバスケットに通して配線します。ケーブルは上のバスケットから先に通し、先端を下のバスケットから出します（図 1-10 を参照）。
- 7 ヒンジの動きを妨げないように、ケーブルに多少余裕を持たせます。
- 8 システムに付属のベルクロストラップを使用して、ケーブルの束をケーブルバスケットエルボにしっかりと固定します。
- 9 ケーブルバスケットを閉じます。
- 10 システムの前面を前面垂直ルールに固定している蝶ネジを外します。



図 1-10. ケーブルマネジメントアームでのケーブルの配線



1 ケーブルトレイベルクロストラップ (6)

2 CMA ベルクロストラップ

- 11 システムをラックから引き出しラックに押し戻して、ケーブルが正しく取り付けられているか、ケーブルマネージメントアームの動きでケーブルが絡まったり、引きつったり、締め付けられたりしないか確認します。必要に応じて、ケーブルバスケット内のケーブルの位置を調整します。



**メモ：**システムを引き出せる限度まで引き出すと、伸びきった位置でスライドアセンブリにロックがかかります。ロックを解除するには、スライドの側面にあるスライドリリースラッチを押しながら、システムをラックに押し込みます。

- 12 拘束ネジを使用して、ケーブルマネージメントアーム固定装置をラックの背面に固定します。



**メモ：**固定装置バーの開閉時にケーブルが邪魔にならないように、システムケーブルは必ずバーの下に通してください。

# Guía de instalación del rack Dell™



# Notas, avisos y precauciones



**NOTA:** Una NOTA proporciona información importante que le ayudará a utilizar mejor el ordenador.



**AVISO:** Un AVISO indica la posibilidad de daños en el hardware o la pérdida de datos, e informa de cómo evitar el problema.



**PRECAUCIÓN:** Un mensaje de PRECAUCIÓN indica el riesgo de daños materiales, lesiones o incluso la muerte.

---

**La información contenida en este documento puede modificarse sin previo aviso.**

**© 2007 Dell Inc. Todos los derechos reservados.**

Queda estrictamente prohibida la reproducción de este documento en cualquier forma sin la autorización por escrito de Dell Inc.

Marcas comerciales utilizadas en este texto: *Dell*, el logotipo de *DELL*, *RapidRails* y *VersaRails* son marcas comerciales de Dell Inc.; *Intel*, *Pentium* y *Celeron* son marcas comerciales registradas de Intel Corporation; *Microsoft* y *Windows* son marcas comerciales o marcas comerciales registradas de Microsoft Corporation en los Estados Unidos o en otros países.

Otras marcas y otros nombres comerciales pueden utilizarse en este documento para hacer referencia a las entidades que los poseen o a sus productos. Dell Inc. renuncia a cualquier interés sobre la propiedad de marcas y nombres comerciales que no sean los suyos.

# Contenido

<b>Instrucciones de seguridad</b> . . . . .	<b>117</b>
SEGURIDAD: Montaje de sistemas en rack . . . . .	117
<b>Instrucciones de instalación</b> . . . . .	<b>118</b>
Antes de comenzar . . . . .	119
Tareas de instalación . . . . .	120
Herramientas y material recomendados . . . . .	121
Contenido del kit de rack RapidRails . . . . .	121
Contenido del kit de rack VersaRails . . . . .	123
<b>Marcado del rack</b> . . . . .	<b>125</b>
<b>Instalación de los ensamblajes deslizantes RapidRails</b> . . . . .	<b>127</b>
<b>Instalación de los conjuntos deslizantes VersaRails</b> . . . . .	<b>129</b>
<b>Instalación del sistema en el rack</b> . . . . .	<b>131</b>
<b>Instalación de la bandeja para cables y el brazo para tendido de cables</b> . . . . .	<b>133</b>
Fijación de la bandeja para cables al sistema . . . . .	133
Fijación del brazo para tendido de cables . . . . .	134
<b>Cableado</b> . . . . .	<b>136</b>



# Instrucciones de seguridad

Aplique las pautas de seguridad que se describen a continuación para garantizar su propia seguridad y proteger el sistema y el entorno de trabajo frente a posibles daños. Para obtener información completa sobre seguridad, consulte la *Guía de información del producto*.

## SEGURIDAD: Montaje de sistemas en rack

Tenga en cuenta las precauciones siguientes para garantizar la estabilidad y la seguridad del rack.

Los sistemas se consideran componentes de un rack. Por lo tanto, “componente” se refiere a cualquier sistema, así como a los distintos periféricos o hardware compatible.



**PRECAUCIÓN:** Antes de instalar sistemas en un rack, instale los estabilizadores frontales y laterales para racks individuales, o bien el estabilizador frontal para varios racks unidos. Si no se instalan estabilizadores antes de realizar el montaje de los sistemas, el rack puede volcarse, y ello puede producir lesiones personales. Por lo tanto, instale siempre los estabilizadores antes de instalar los componentes en el rack.



**PRECAUCIÓN:** Una vez que haya instalado el sistema o los componentes en el rack, no extraiga nunca del rack más de un componente a la vez por sus ensamblajes deslizantes. El peso de más de un componente extendido puede hacer que vuelque el rack y causar lesiones.



**NOTA:** Este sistema está homologado en cuanto a seguridad como unidad independiente y como componente para uso en un armario rack utilizando el kit de rack del cliente, siempre que tanto el armario rack como el kit de rack estén diseñados para este sistema. La instalación del sistema y el kit de rack en cualquier otro armario rack no ha sido aprobada por ninguna agencia de seguridad. Es su responsabilidad tener una combinación final de sistema y kit de rack en un armario evaluado como adecuado por una agencia de seguridad homologada. El fabricante declina toda responsabilidad y garantía relacionadas con dichas combinaciones.

- Los kits de rack están concebidos para ser montados en un rack aprobado por técnicos de servicio cualificados. Si se monta el kit en cualquier otro rack, éste debe cumplir las especificaciones.

- Antes de realizar cualquier operación en el rack, asegúrese de que los estabilizadores estén fijados al rack, que lleguen hasta el suelo y que todo el peso del rack recaiga sobre el suelo. Instale los estabilizadores frontales y laterales para un único rack, o los estabilizadores frontales para varios racks unidos.
- Cargue siempre el rack desde la parte inferior hacia arriba, colocando en primer lugar el elemento más pesado.
- El rack debe estar nivelado y estabilizado antes de extraer un componente.
- Tenga cuidado al presionar los pestillos de liberación de los rieles de componentes y al extraer o introducir un componente del rack, puesto que sus dedos pueden quedar aprisionados en los rieles deslizantes.
- Una vez que se haya insertado un componente en el rack, extienda con cuidado el riel hasta la posición de bloqueo y deslice el componente hacia el interior del rack.
- No sobrecargue el circuito de la fuente de alimentación de CA que suministra energía al rack. La carga total del rack no debe ser superior al 80 por ciento de la corriente nominal del circuito.
- Los componentes del rack deben disponer de una ventilación suficiente.
- No suba sobre ningún sistema/componente ni lo utilice como escalón para reparar otros sistemas/componentes de un rack.

## Instrucciones de instalación

En esta guía de instalación se proporcionan instrucciones para técnicos de servicio especializados que instalen uno o más sistemas en un rack abierto o un armario rack. El kit de rack RapidRails™ se puede instalar sin herramientas en todos los armarios rack del fabricante que tengan orificios cuadrados, y el kit de rack VersaRails™ se puede instalar en la mayoría de los armarios rack estándar que tengan orificios cuadrados o redondos. Los procedimientos para instalar los kits de rack RapidRails y VersaRails son parecidos. Se precisa un kit de rack para cada sistema instalado en el rack.



**PRECAUCIÓN: No instale componentes del kit de rack diseñados para otro sistema. Utilice únicamente el kit de rack para su sistema. Si utiliza el kit de rack para otro sistema, pueden producirse daños en el sistema y lesiones personales.**




El kit de rack RapidRails se puede montar en la mayoría de los armarios rack estándar.

- ➔ **AVISO:** El kit de rack RapidRails lo deben montar únicamente técnicos de servicio cualificados en un rack que cumpla las especificaciones siguientes: ANSI/EIA-310-D-92, IEC 297 y DIN 41494. Se precisa un kit de rack para cada sistema que se instale en el rack.

## Antes de comenzar


Antes de montar el sistema en el rack, lea detenidamente la sección “Instrucciones de seguridad” de esta guía, así como las instrucciones de seguridad que se incluyen en la *Guía de información del producto* para obtener información adicional.

 **PRECAUCIÓN:** Cuando instale varios sistemas en un rack, realice todos los procedimientos para el sistema actual antes de instalar el sistema siguiente.


 **PRECAUCIÓN:** Los armarios rack pueden ser muy pesados, pero se mueven con facilidad gracias a las ruedas. Tenga el máximo cuidado cuando mueva el armario rack. Cuando traslade el armario rack, pliegue primero los pies niveladores. Evite rampas o inclinaciones largas o pronunciadas para evitar perder el control del armario. Extienda los pies niveladores como apoyo y para evitar que el armario se desplace.


## Información de seguridad importante

Cuando instale el sistema en el rack, tenga en cuenta las precauciones de seguridad que se indican en los apartados siguientes.

 **PRECAUCIÓN:** Debe seguir estrictamente los procedimientos que se explican en este documento para protegerse a sí mismo y a otras personas que puedan verse involucradas. El sistema puede tener un tamaño y un peso considerables, por lo que la preparación y la planificación adecuadas son importantes para evitar lesiones personales a uno mismo y a terceros. Esta precaución es aún más importante cuando los sistemas se montan en la parte superior del rack.

## Pies estabilizadores del rack

 **PRECAUCIÓN:** Antes de instalar sistemas en un rack, instale los estabilizadores frontales y laterales para racks individuales, o bien el estabilizador frontal para varios racks unidos. Si no se instalan estabilizadores antes de realizar el montaje de los sistemas, el rack puede volcarse, y ello puede producir lesiones personales. Por lo tanto, instale siempre los estabilizadores antes de instalar los componentes en el rack.

 **PRECAUCIÓN:** Una vez que haya instalado sistemas en un rack, no extraiga nunca del rack más de un sistema a la vez por sus ensamblajes deslizantes. El peso de más de un sistema extendido puede hacer que vuelque el rack y causar lesiones.

Los pies estabilizadores impiden que el rack vuelque cuando se extrae un sistema u otro componente del rack con los ensamblajes deslizantes completamente extendidos. Consulte la documentación que se facilita con el armario rack para obtener instrucciones sobre la instalación y la fijación de los pies estabilizadores.

## Tareas de instalación

La instalación de un kit de rack implica realizar las tareas siguientes en el orden indicado:

- 1 Marcado del rack (en caso necesario)
- 2 Instalación de los ensamblajes de rieles en el rack
  - Instalación de RapidRails
  - Instalación de VersaRails
- 3 Instalación del sistema en el rack
- 4 Montaje de la bandeja para cables y el brazo para tendido de cables
- 5 Cableado

## **Herramientas y material recomendados**

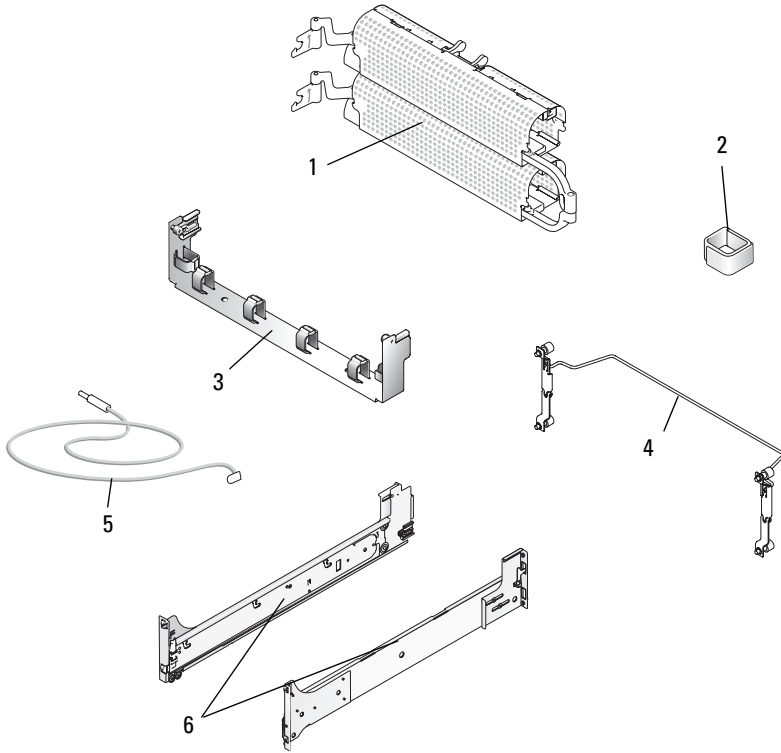
- Un destornillador Phillips del n.º 2
- Cinta adhesiva o rotulador de punta de fieltro para marcar los orificios de montaje del rack que se utilizarán
- Una regla o cinta métrica

## **Contenido del kit de rack RapidRails**

El kit de rack RapidRails incluye los elementos siguientes (vea la ilustración 1-1):

- Un par de ensamblajes deslizantes RapidRails
- Un brazo para tendido de cables
- Un dispositivo de retención del brazo para tendido de cables
- Una bandeja para cables
- Un cable de indicador de estado (si procede)
- Una tira de velcro para los cables

### Ilustración 1-1. Contenido del kit de rack RapidRails



- |   |   |   |   |
|---|---|---|---|
| 1 | Brazo para tendido de cables              | 2 | Tira de velcro  |
| 3 | Bandeja para cables                       | 4 | Dispositivo de retención del brazo para tendido de cables |
| 5 | Cable de indicador de estado (si procede) | 6 | Ensamblajes deslizantes VersaRails                        |

## Contenido del kit de rack VersaRails

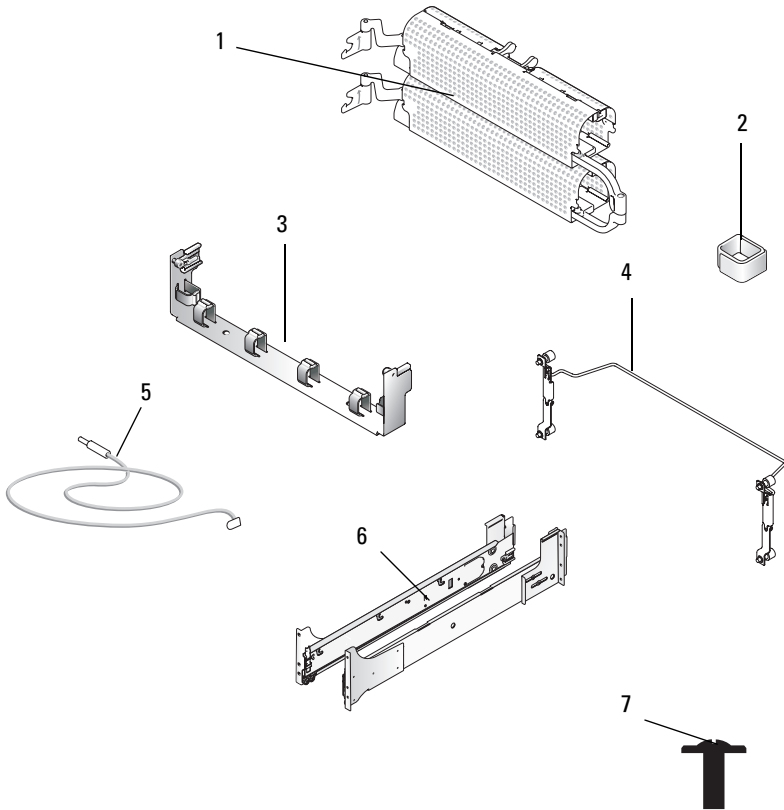
El kit de rack VersaRails incluye los elementos siguientes (vea la ilustración 1-2):

- Un par de ensamblajes deslizantes VersaRails
- Un brazo para tendido de cables
- Un dispositivo de retención del brazo para tendido de cables
- Una bandeja para cables
- Un cable de indicador de estado (si procede)
- Ocho tornillos Phillips con arandela 10-32 x 0,5 pulgadas
- Una tira de velcro para los cables



**NOTA:** Los tornillos no métricos que se describen en las ilustraciones y en los procedimientos se identifican por el tamaño y el número de roscas por pulgada. Por ejemplo, un tornillo Phillips del n.º 10 con 32 roscas por pulgada se identifica como un tornillo 10-32.


**Ilustración 1-2. Contenido del kit de rack VersaRails**



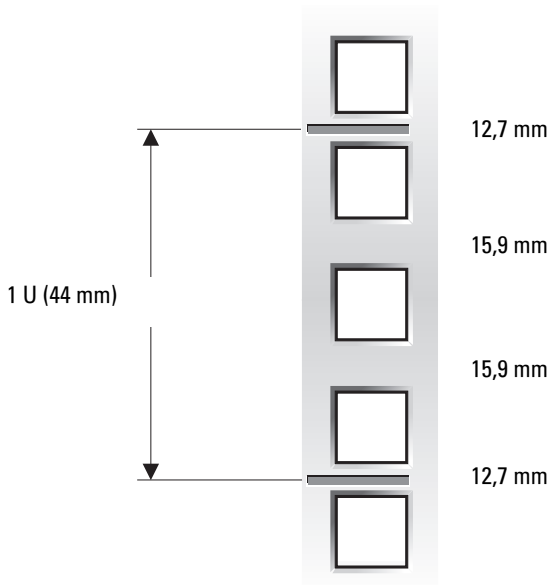
- |   |  |   |   |
|---|--|---|---|
| 1 | Brazo para tendido de cables                         | 2 | Tira de velcro  |
| 3 | Bandeja para cables                                  | 4 | Dispositivo de retención del brazo para tendido de cables |
| 5 | Cable de indicador de estado (si procede)            | 6 | Ensamblajes deslizantes VersaRails                        |
| 7 | 10 tornillos Phillips con arandela 32 x 0,5 pulgadas |   |   |


# Marcado del rack

Debe dejar 4 U (17,8 cm) de espacio vertical para cada sistema que monte en el rack (vea la ilustración 1-3).

 **NOTA:** En caso de que el rack ya esté marcado, no es necesario realizar este procedimiento.

**Ilustración 1-3. Rack de una unidad**



 **PRECAUCIÓN:** Si va a montar más de un sistema, instale los ensamblajes deslizantes de modo que el primer sistema quede instalado en la posición más baja disponible en el rack.

Para marcar el rack, realice los pasos siguientes:

- 1 Coloque una marca en los rieles verticales frontales en que desee colocar la parte inferior del sistema que está instalando en el armario rack.

La parte inferior de cada espacio 1 U se encuentra en el centro de la zona metálica más estrecha entre orificios (marcados con una línea horizontal en algunos armarios rack; vea la ilustración 1-4).





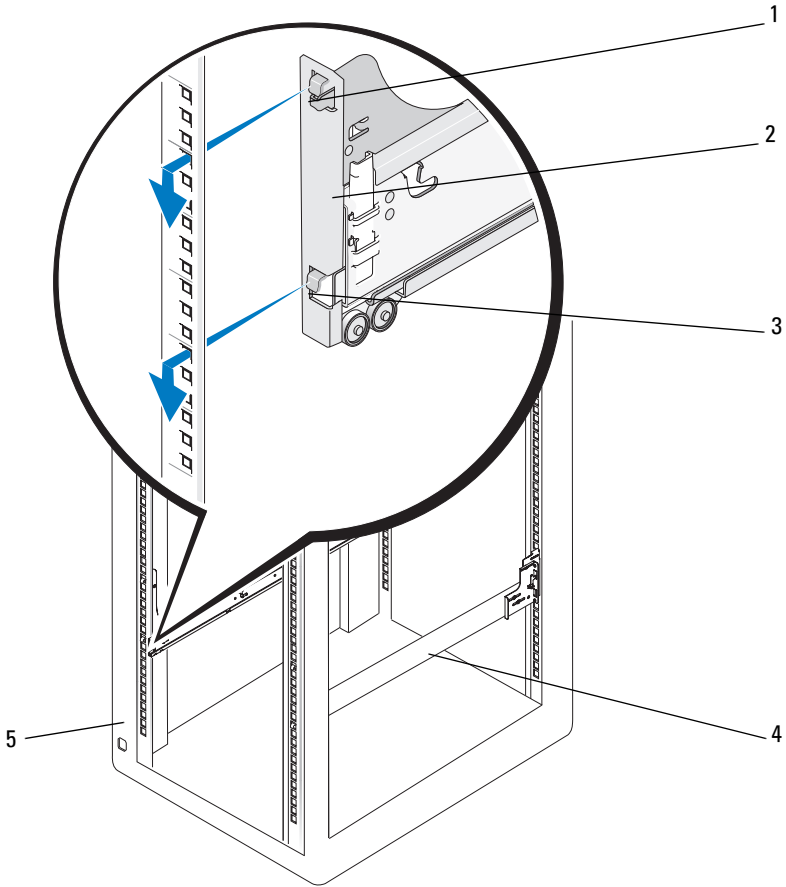
# Instalación de los ensamblajes deslizantes RapidRails

- 1** En la parte frontal del armario rack, coloque uno de los ensamblajes deslizantes RapidRails de modo que la superficie de montaje del soporte encaje en el lugar adecuado del rack (vea la ilustración 1-5).  
El gancho de montaje superior situado en la superficie de montaje del soporte delantero del ensamblaje de rieles debe entrar en el orificio superior entre las marcas de los rieles verticales.
- 2** Empuje el ensamblaje deslizante hacia delante hasta que el gancho de montaje superior entre en el orificio cuadrado situado justo debajo de las marcas superiores o la cinta que ha colocado en el riel vertical. A continuación, presione hacia abajo la superficie de montaje del soporte hasta que los ganchos de montaje encajen en los orificios cuadrados y el pulsador salga y se oiga un clic (vea la ilustración 1-5).
- 3** En la parte posterior del armario, tire hacia atrás de la superficie de montaje del soporte hasta que los ganchos de montaje estén en los orificios correspondientes y, a continuación, empuje hacia abajo la superficie hasta que los ganchos de montaje queden encajados en los orificios cuadrados y se expulse el pulsador (se oirá un clic).
- 4** Repita los pasos del 1 al 3 para el ensamblaje deslizante del otro lateral del rack.



**NOTA:** Compruebe que los rieles estén montados en la misma posición vertical en ambos lados del rack.

### Ilustración 1-5. Instalación de los ensamblajes deslizantes RapidRails




- |   |                        |   |   |
|---|------------------------|---|---|
| 1 | Pulsador               | 2 | Superficie de montaje del soporte del ensamblaje deslizante |
| 3 | Ganchos de montaje (2) | 4 | Ensamblajes deslizantes (2)                                 |
| 5 | Parte frontal del rack |   |   |

# Instalación de los conjuntos deslizantes VersaRails


- 1 En la parte frontal del armario rack, coloque un ensamblaje deslizante VersaRails de forma que la superficie de montaje del soporte encaje entre las marcas o la cinta colocada (o la ubicación numerada) en el rack (vea la ilustración 1-6).

Los orificios de la parte frontal de la superficie de montaje deben estar alineados con los orificios situados entre las marcas realizadas en el riel vertical frontal.

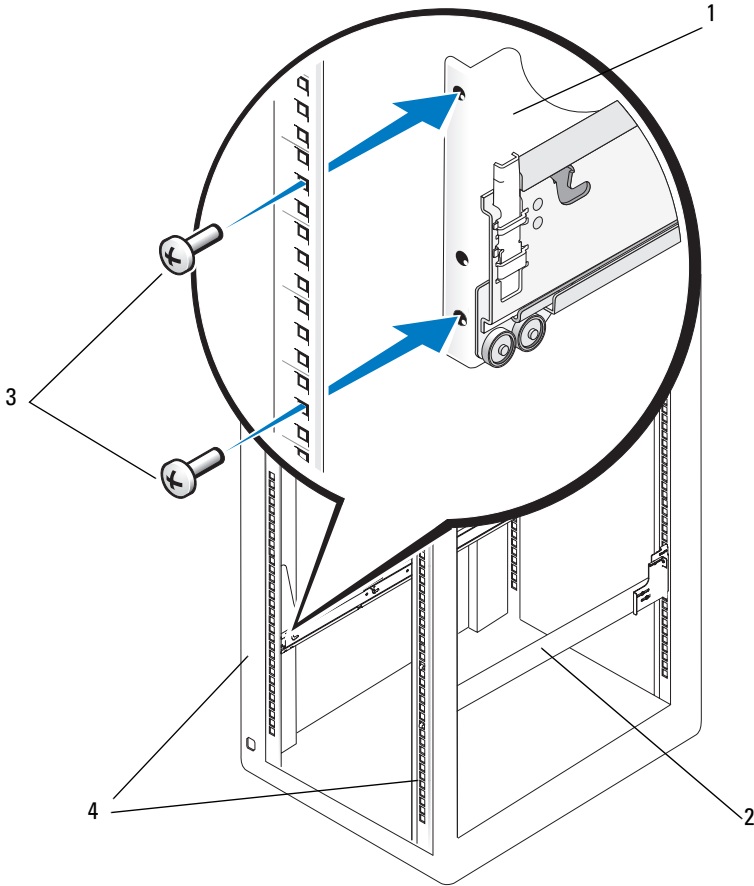
- 2 Coloque los tornillos Phillips con arandela 10-32 x 0,5 pulgadas en los orificios superior e inferior de la superficie de montaje (vea la ilustración 1-6).
- 3 En la parte posterior del armario, deslice hacia atrás la superficie de montaje del soporte hasta que los orificios de montaje se alineen con los orificios correspondientes en el riel vertical posterior.
- 4 Inserte tornillos Phillips con arandela 10-32 x 0,5 pulgadas en los orificios segundo y tercero (orificios centrales) de la superficie de montaje posterior para fijar el ensamblaje deslizante al riel vertical posterior.

 **NOTA:** Los orificios de montaje superior e inferior se utilizarán posteriormente para instalar el dispositivo de retención del brazo para tendido de cables.

- 5 Repita los pasos del 1 al 4 para el ensamblaje deslizante del otro lateral del rack.

 **NOTA:** Compruebe que los rieles estén montados en la misma posición vertical en ambos lados del rack.

### Ilustración 1-6. Montaje de los ensamblajes de rieles VersaRails




- |   |   |   |                             |
|---|---|---|-----------------------------|
| 1 | Superficie de montaje del soporte del ensamblaje deslizante | 2 | Ensamblajes deslizantes (2) |
| 3 | Tornillos Phillips con arandela (2)                         | 4 | Parte frontal del rack      |

## Instalación del sistema en el rack

 **PRECAUCIÓN:** Si va a instalar más de un sistema, instale el primero en la posición más baja disponible en el rack.

 **PRECAUCIÓN:** No extraiga del rack más de un componente a la vez.

- 1 Tire de los dos ensamblajes deslizantes interiores hacia fuera del rack hasta que queden totalmente extendidos.

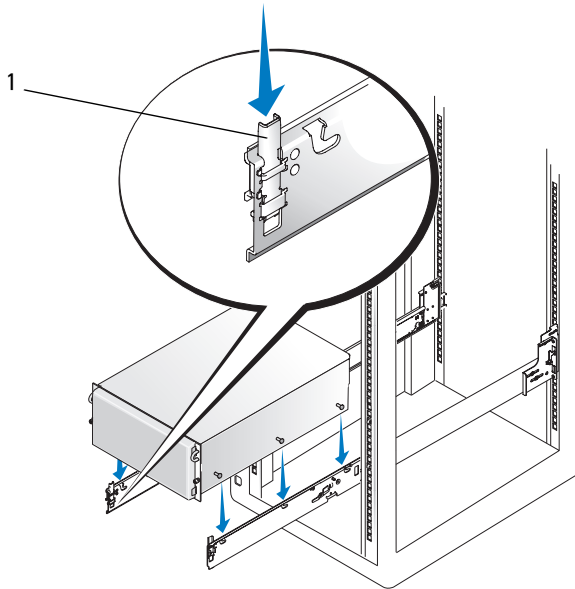
 **PRECAUCIÓN:** Debido al tamaño y el peso del sistema, no intente nunca montar el sistema en los rieles deslizantes sin ayuda.

- 2 Levante el sistema hasta la posición adecuada.

Con un mínimo de dos personas, cada una debe colocar una mano en la parte inferior frontal del sistema y la otra en la parte inferior posterior.

- 3 Incline la parte frontal del sistema hacia arriba mientras alinea los tornillos de pivote posteriores de los laterales del sistema con las ranuras posteriores de los ensamblajes deslizantes (vea la ilustración 1-7).

### Ilustración 1-7. Instalación del sistema en el rack



- 1 Mecanismo de bloqueo del sistema
- 4 Coloque los tornillos de pivote posteriores en la ranura situada justo detrás del pestillo de liberación deslizante. A continuación, coloque los tornillos de pivote centrales y frontales.
- 5 Inserte el sistema en los ensamblajes deslizantes hasta que el mecanismo de bloqueo del sistema emita un clic al encajar en su sitio, bloqueando así el ensamblaje deslizante (vea la ilustración 1-7).
- 6 Tire de los seguros de liberación e inserte el sistema en el rack.
- 7 Apriete los tornillos mariposa del panel frontal del rack.

# Instalación de la bandeja para cables y el brazo para tendido de cables

Este procedimiento se realiza en dos fases. En primer lugar, se monta la bandeja para cables en la parte posterior del chasis del sistema. A continuación, se instala el brazo para tendido de cables en la bandeja para cables.

## Fijación de la bandeja para cables al sistema



**NOTA:** Según la bandeja para cables incluida con el kit de rieles, deberá seguir el procedimiento para montar la bandeja en la parte posterior del chasis del sistema. Las dos bandejas para cables se muestran en la ilustración 1-8.

### Tipo de montaje I

- 1 Alinee las lengüetas metálicas situadas en la parte inferior de la bandeja para cables con las ranuras correspondientes de la parte posterior del chasis del sistema.
- 2 Inserte las lengüetas en las ranuras y gire la bandeja hacia abajo hasta que encaje en su lugar (vea la ilustración 1-8).
- 3 Fije la bandeja al sistema mediante los dos tornillos mariposa cautivos.

## Tipo de montaje II

- 1 Alinee las lengüetas metálicas situadas en los laterales de la bandeja para cables con las muescas metálicas de las paredes interiores situadas en la parte posterior del chasis del sistema.
- 2 Deslice las lengüetas sobre las muescas metálicas y presione la bandeja hacia abajo hasta que encaje en su lugar (vea la ilustración 1-8).
- 3 Fije la bandeja al sistema mediante los dos tornillos mariposa cautivos.



**PRECAUCIÓN:** La bandeja para cables no puede soportar el peso del sistema. No tire de la bandeja para cables al levantar el sistema. Levante el sistema sólo por los bordes del chasis.

## Fijación del brazo para tendido de cables

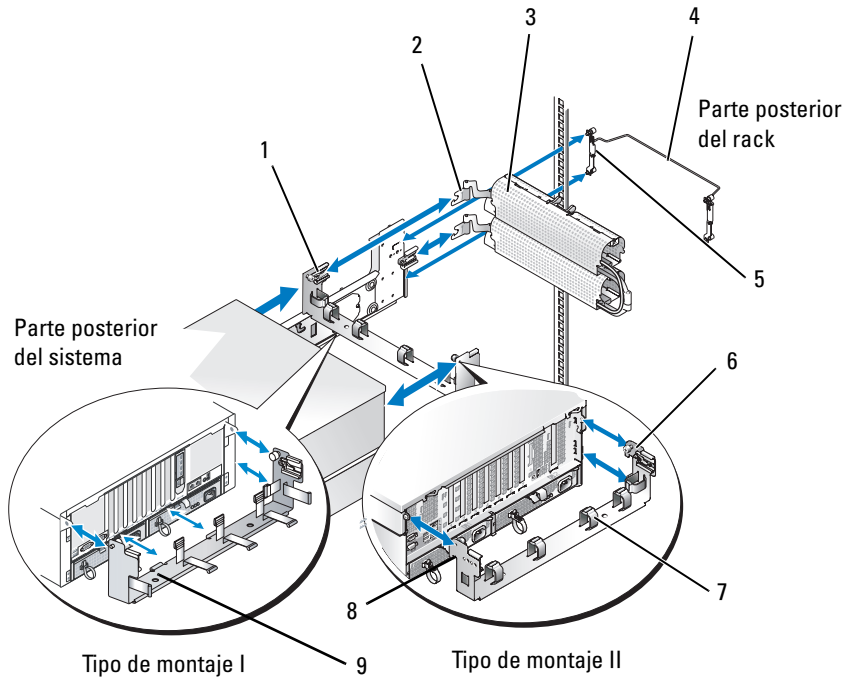


**NOTA:** El brazo para tendido de cables puede instalarse en cualquiera de los laterales de la bandeja para cables.

- 1 Sitúese frente a la parte posterior del armario rack e inserte la lengüeta del extremo frontal del brazo para tendido de cables en el seguro de la bandeja para cables hasta que se oiga un clic (vea la ilustración 1-8).
- 2 Inserte la lengüeta del extremo no acoplado del brazo para tendido de cables en el seguro del extremo del ensamblaje deslizante hasta que se oiga un clic.



### Ilustración 1-8. Instalación del brazo para tendido de cables



- |   |                                  |   |   |
|---|----------------------------------|---|---|
| 1 | Seguro de la bandeja para cables | 2 | Lengüetas                                       |
| 3 | Brazo para tendido de cables     | 4 | Dispositivo de retención para tendido de cables |
| 5 | Tornillos mariposa cautivos (4)  | 6 | Tornillos mariposa cautivos (2)                 |
| 7 | Tira de velcro                   | 8 | Lengüetas metálicas                             |
| 9 | Lengüetas de montaje (2)         |   |   |



**NOTA:** En la ilustración 1-8 puede ver los dos tipos de rieles de rack que muestran cómo conectar el rack al sistema.

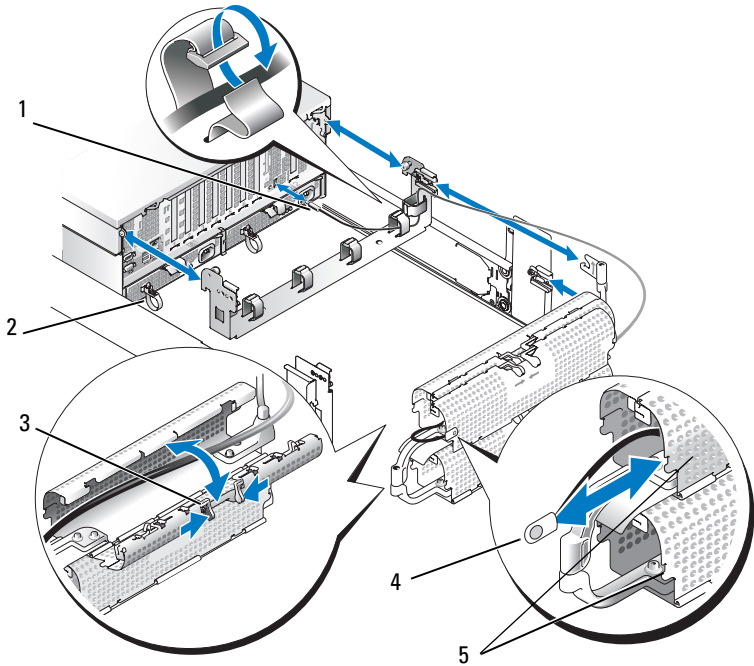
## Cableado

- 1 Si procede, instale el enchufe del cable de indicador de estado del sistema en su conector del panel posterior del sistema (vea la ilustración 1-9).
- 2 Abra los dos soportes para cables del brazo para tendido de cables apretando los seguros de liberación situados en la parte superior de cada soporte.

Los soportes para cables se abren para permitir pasar los cables por los brazos.

- 3 Pase el cable de indicador de estado del sistema por el brazo para tendido de cables y a través del soporte para cables superior y, si lo desea, a través del soporte inferior. Inserte el extremo del LED en una de las ranuras de indicador del brazo para tendido de cables (vea la ilustración 1-9).

### Ilustración 1-9. Instalación del cable de indicador de estado del sistema



- |   |  |   |   |
|---|--|---|---|
| 1 | Enchufe del cable de indicador de estado del sistema | 2 | Lazos liberadores de tensión (1 por fuente de alimentación, si está disponible) |
| 3 | Pestillo de liberación                               | 4 | Indicador de estado del sistema   |
| 5 | Ranura de indicador de estado del sistema            |   |   |

- 4 Enchufe los conectores del cable de E/S y del cable de alimentación en sus conectores respectivos del panel posterior del sistema.

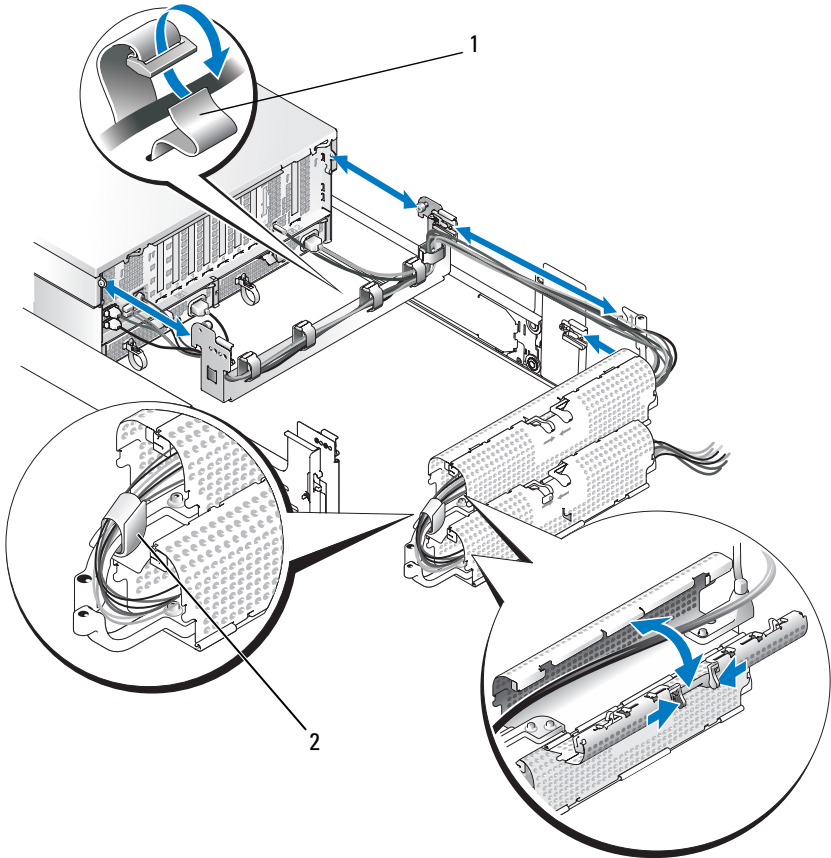
Para obtener más información sobre las conexiones de los cables, consulte la *Guía de instalación y solución de problemas* y la *Guía del usuario* del sistema.



**NOTA:** Coloque los lazos liberadores de tensión (si están disponibles) en la parte posterior de las fuentes de alimentación para liberar la tensión de los cables de alimentación.

- 5 Fije los cables a la superficie horizontal de la bandeja para cables mediante las cintas de velcro y, a continuación, pase los cables por el codo que une el brazo para tendido de cables con la bandeja para cables y fije los cables con la cinta de velcro vertical (vea la ilustración 1-10).
- 6 Pase los cables por el brazo para tendido de cables a través de los dos soportes, de modo que entren por el superior y salgan por el inferior (vea la ilustración 1-10).
- 7 Realice los ajustes de holgura necesarios en los cables en las posiciones de las bisagras.
- 8 Utilice la tira de velcro incluida con el sistema para fijar con firmeza los grupos de cables al soporte para cables.
- 9 Cierre los soportes para cables.
- 10 Desatornille los tornillos mariposa que fijan la parte frontal del sistema al riel vertical frontal.

**Ilustración 1-10. Cableado en el brazo para tendido de cables**



1 Tira de velcro de la bandeja para cables (6)

2 Tira de velcro del brazo para tendido de cables

- 11 Deslice el sistema dentro y fuera del rack para comprobar que los cables están colocados correctamente y que no quedan doblados, estirados o pinzados con el movimiento del brazo para tendido de cables. Ajuste los cables en el interior de los soportes según sea necesario.



**NOTA:** Si extrae el sistema hasta la posición máxima, los ensamblajes deslizantes quedarán bloqueados en la posición extendida. Para desbloquearlos, presione el seguro de liberación deslizante del lateral del ensamblaje deslizante y, a continuación, inserte el sistema en el rack.

- 12 Utilice los tornillos mariposa cautivos para fijar el dispositivo de retención del brazo para tendido de cables en la parte posterior del rack.



**NOTA:** Asegúrese de pasar los cables del sistema por debajo de la barra de fijación de manera que no sean un obstáculo cuando se abre o se cierra la barra.